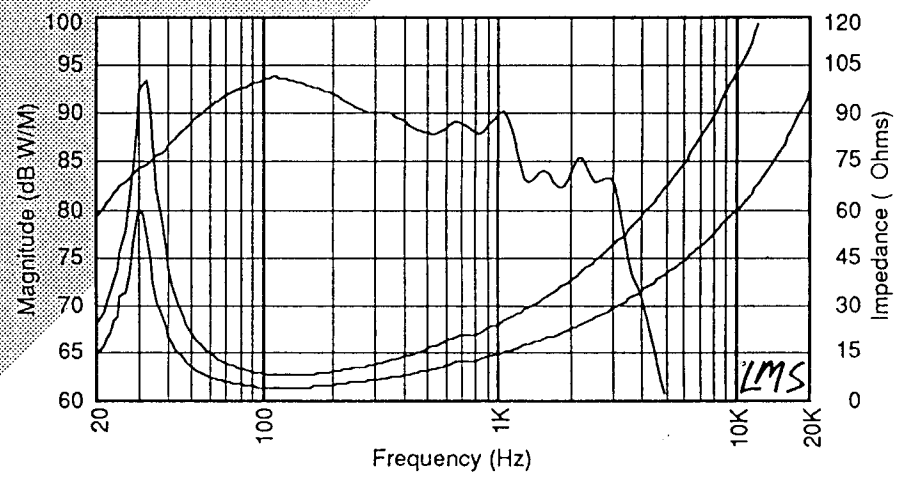
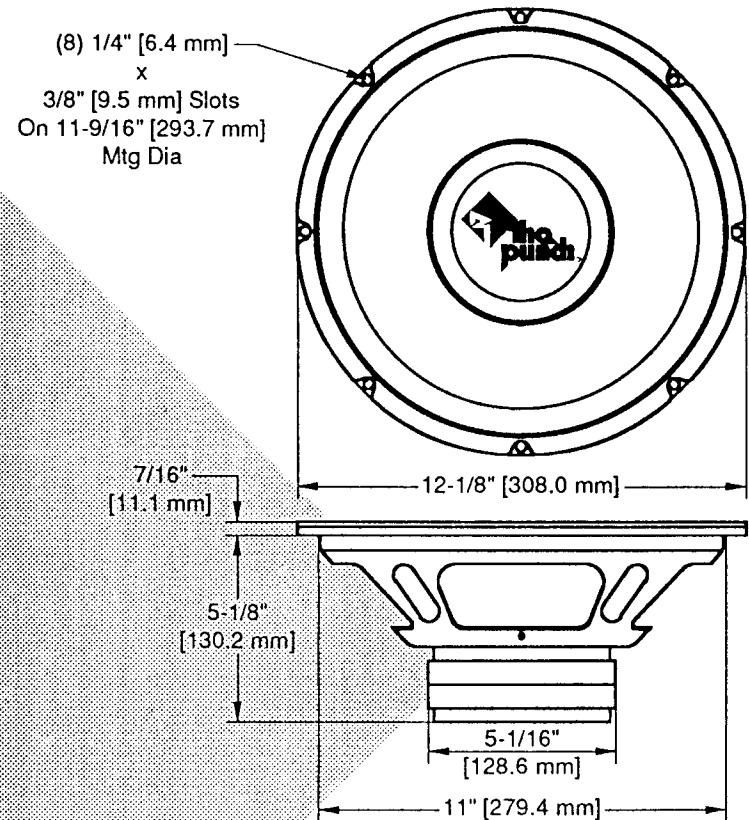


TECHNICAL DATA	PCH-124	PCH-128
Nominal Diameter	12.00 in [304.8 mm]	12.00 in [304.8 mm]
Magnet Weight	60.00 oz [1,701.0 g]	60.00 oz [1,701.0 g]
Frequency Range	32 - 250 Hz	33 - 250 Hz
Nominal Impedance	4	8
DC Resistance (<i>RE</i>)	3.6	7.2
Resonance Frequency (<i>fs</i>)	32 Hz	33 Hz
Mechanical Q Factor (<i>Qms</i>)	4.79	4.31
Electrical Q Factor (<i>Qes</i>)	0.31	0.35
Total Q Factor (<i>Qts</i>)	0.30	0.32
Effective Cone Area (<i>Sd</i>)	83.70 in ² [0.0540 m ²]	83.70 in ² [0.0540 m ²]
Equivalent Air Volume (<i>Vas</i>)	4.697 ft ³ [133.0 L]	4.697 ft ³ [133.0 L]
Compliance (<i>Cms</i>)	0.00032 m/N	0.00032 m/N
Moving Mass (<i>Mms</i>)	2.79 oz [79.0 g]	2.50 oz [71.0 g]
Voice Coil Diameter	2.00 in [50.8 mm]	2.00 in [50.8 mm]
Voice Coil Winding Height	0.75 in [19.0 mm]	0.75 in [19.0 mm]
Voice Coil Former Material	5 Mil Aluminum	5 Mil Aluminum
Voice Coil Inductance	1.78 mH	3.01 mH
Force Factor (<i>Bl</i>)	13.4 Tm	17.5 Tm
Linear Excursion (<i>Xmax</i>)	0.19 in [4.7 mm]	0.19 in [4.7 mm]
Sensitivity (<i>SPL</i>)	94.0 dB W/m	94.0 dB W/m
Operating Power (<i>PE</i>)	100 W	100 W
Specifications May Vary Per Manufacturing Tolerances And Are Subject To Improvement Without Notice Frequency Response Curve Shown Represents Both 4 And 8 Units Upper Impedance Curve For 8 Unit; Lower Impedance Curve For 4 Unit		



PART NO.: PCH-124	PART NAME: 12" Punch Woofer	
PCH-128	TOLERANCE: N/A	SCALE: N.T.S.
RELEASE: #3 (May 20, 1993)	DRWN BY: <i>[Signature]</i>	APPR BY: <i>[Signature]</i>

