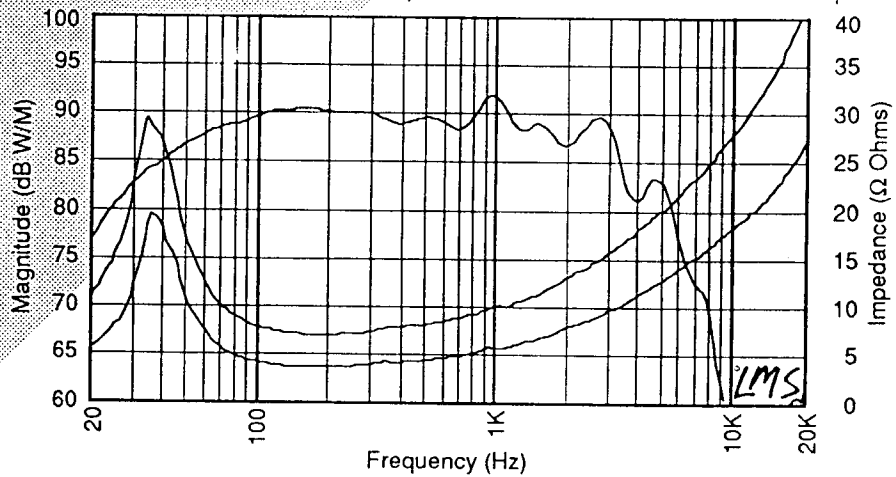
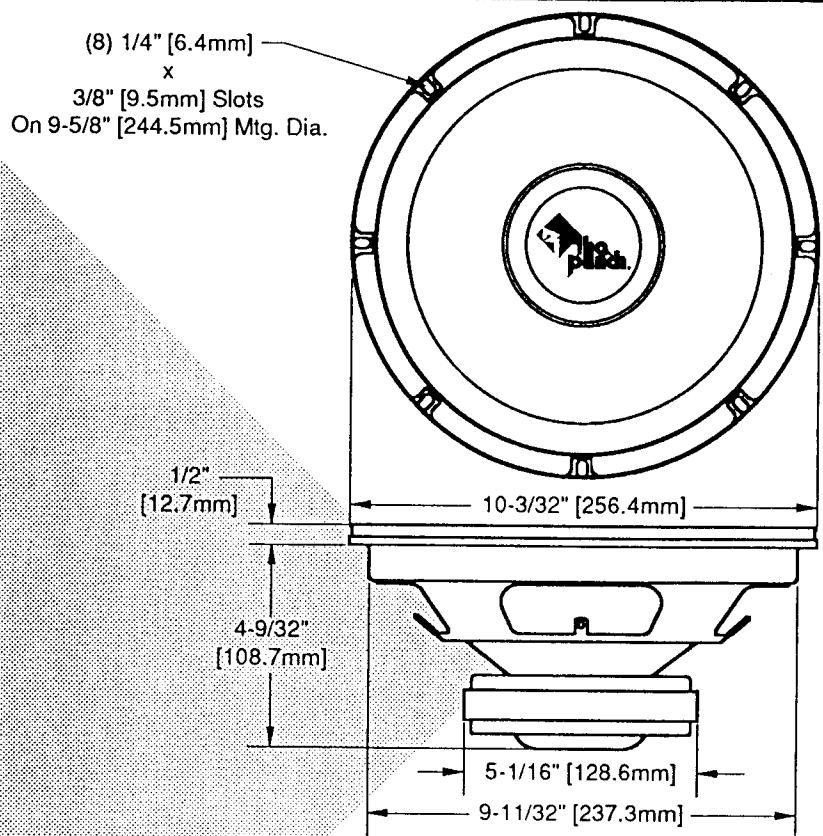


TECHNICAL DATA	PCH-104	PCH-108
Nominal Diameter	10.00 in [254.0 mm]	10.00 in [254.0 mm]
Magnet Weight	30.00 oz [850.5 g]	30.00 oz [850.5 g]
Frequency Range	35 - 1,500 Hz	36 - 1,500 Hz
Nominal Impedance	4Ω	8Ω
DC Resistance ( <i>R<sub>E</sub></i> )	3.5Ω	6.9Ω
Resonance Frequency ( <i>f<sub>s</sub></i> )	35 Hz	36 Hz
Mechanical Q Factor ( <i>Q<sub>MS</sub></i> )	2.76	2.42
Electrical Q Factor ( <i>Q<sub>ES</sub></i> )	0.50	0.65
Total Q Factor ( <i>Q<sub>TS</sub></i> )	0.42	0.51
Effective Cone Area ( <i>S<sub>d</sub></i> )	54.87 in <sup>2</sup> [0.0354 m <sup>2</sup> ]	54.87 in <sup>2</sup> [0.0354 m <sup>2</sup> ]
Equivalent Air Volume ( <i>V<sub>AS</sub></i> )	3.037 ft <sup>3</sup> [86.0 L]	3.037 ft <sup>3</sup> [86.0 L]
Compliance ( <i>C<sub>MS</sub></i> )	0.00049 m/N	0.00049 m/N
Moving Mass ( <i>M<sub>MS</sub></i> )	1.55 oz [44.0 g]	1.41 oz [40.0 g]
Voice Coil Diameter	2.00 in [50.8 mm]	2.00 in [50.8 mm]
Voice Coil Winding Height	0.56 in [14.2 mm]	0.56 in [14.2 mm]
Voice Coil Former Material	5 Mil Aluminum	5 Mil Aluminum
Voice Coil Inductance	0.46 mH	0.69 mH
Force Factor ( <i>Bl</i> )	8.1 Tm	9.8 Tm
Linear Excursion ( <i>X<sub>max</sub></i> )	0.17 in [4.3 mm]	0.17 in [4.3 mm]
Sensitivity ( <i>SPL</i> )	90.0 dB W/m	90.0 dB W/m
Operating Power ( <i>P<sub>E</sub></i> )	100 W	100 W
Specifications May Vary Per Manufacturing Tolerances And Are Subject To Improvement Without Notice Frequency Response Curve Shown Represents Both 4Ω And 8Ω Units Upper Impedance Curve For 8Ω Unit; Lower Impedance Curve For 4Ω Unit		



PART NO.: PCH-104	PART NAME: 10" Punch Woofer	
PCH-108	TOLERANCE: N/A	SCALE: N.T.S.
RELEASE: #2 / 2, 1992)	DRWN BY: <i>REW</i>	APPR BY: <i>Chubb</i>

