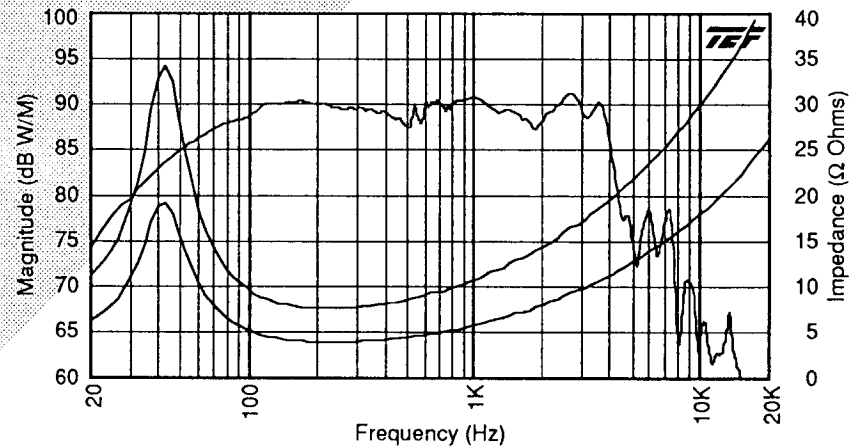
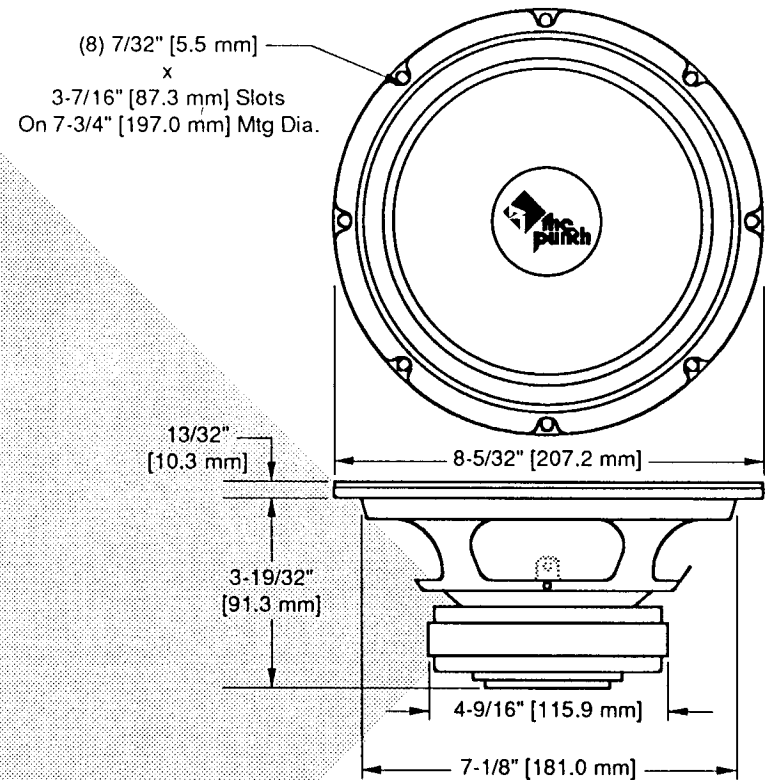


TECHNICAL DATA	SP-84	SP-88
Nominal Diameter	8.00 in [203.2 mm]	8.00 in [203.2 mm]
Magnet Weight	22.00 oz [624.8 g]	22.00 oz [624.8 g]
Frequency Range	40 - 4,200 Hz	40 - 4,200 Hz
Nominal Impedance	4Ω	8Ω
DC Resistance (RE)	3.6Ω	7.3Ω
Resonance Frequency (fs)	40 Hz	40 Hz
Mechanical Q Factor (QMS)	2.32	2.28
Electrical Q Factor (QES)	0.48	0.55
Total Q Factor (QTS)	0.40	0.45
Effective Cone Area (SD)	34.10 in ² [0.0220 m ²]	34.10 in ² [0.0220 m ²]
Equivalent Air Volume (VAS)	1.978 ft ³ [56.0 L]	1.978 ft ³ [56.0 L]
Compliance (CMS)	0.00081 m/N	0.00081 m/N
Moving Mass (MMS)	0.69 oz [19.5 g]	0.67 oz [19.1 g]
Voice Coil Diameter	2.00 in [50.8 mm]	2.00 in [50.8 mm]
Voice Coil Winding Height	0.55 in [14.0 mm]	0.55 in [14.0 mm]
Voice Coil Former Material	5 Mil Aluminum	5 Mil Aluminum
Voice Coil Inductance	0.51 mH	0.85 mH
Force Factor (BI)	6.1 Tm	7.9 Tm
Linear Excursion (Xmax)	0.17 in [4.3 mm]	0.17 in [4.3 mm]
Sensitivity (SPL)	90 dB W/m	90 dB W/m
Operating Power (PE)	100 W	100 W
Specifications May Vary Per Manufacturing Tolerances And Are Subject To Improvement Without Notice Frequency Response Curve Shown Represents Both 4Ω And 8Ω Units Upper Impedance Curve For 8Ω Unit; Lower Impedance Curve For 4Ω Unit		



PART NO.: SP-84	PART NAME: 8" Punch Woofer	
SP-88	TOLERANCE: N/A	SCALE: N.T.S.
RELEASE: #2 (10-29-90)	DRWN BY: <i>BSW</i>	APPR BY: <i>Chud</i>

Rockford Fosgate

