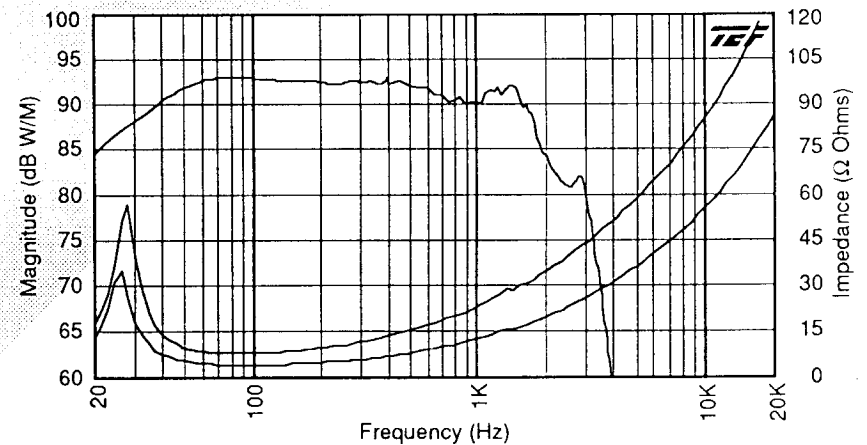
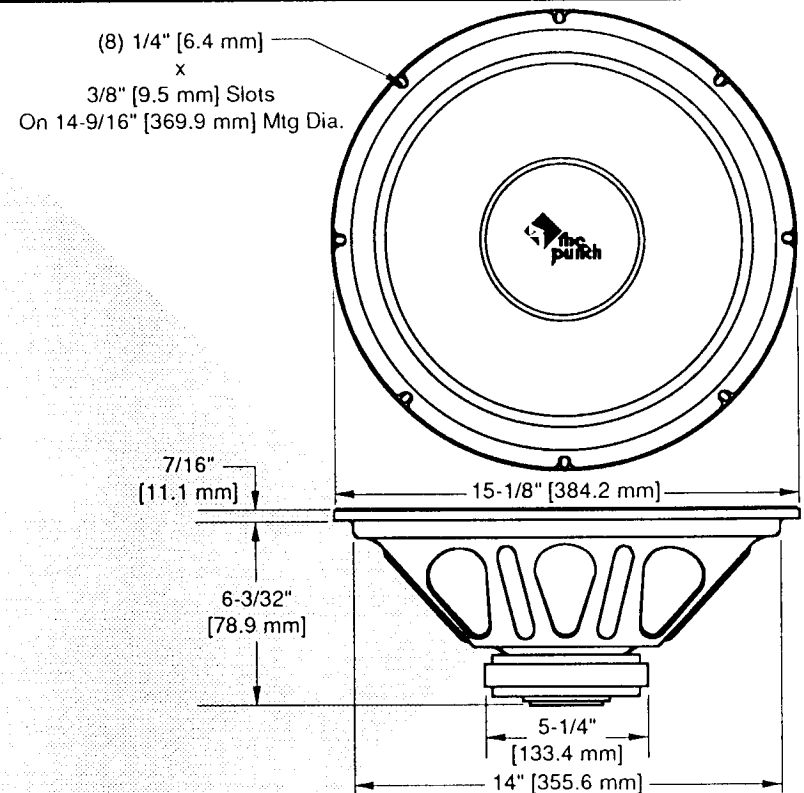


TECHNICAL DATA	SP-415	SP-815
Nominal Diameter	15.00 in [381.0 mm]	15.00 in [381.0 mm]
Magnet Weight	38.00 oz [1079.2 g]	38.00 oz [1079.2 g]
Frequency Range	25 - 2,000 Hz	25 - 2,000 Hz
Nominal Impedance	4Ω	8Ω
DC Resistance (<i>RE</i>)	3.6Ω	7.3Ω
Resonance Frequency (<i>fs</i>)	25 Hz	25 Hz
Mechanical Q Factor (<i>Qms</i>)	3.63	4.77
Electrical Q Factor (<i>Qes</i>)	0.54	0.67
Total Q Factor (<i>Qts</i>)	0.48	0.59
Effective Cone Area (<i>Sd</i>)	134.54 in ² [0.0868 m ²]	134.54 in ² [0.0868 m ²]
Equivalent Air Volume (<i>Vas</i>)	12.254 ft ³ [347.0 L]	12.254 ft ³ [347.0 L]
Compliance (<i>Cms</i>)	0.00032 m/N	0.00032 m/N
Moving Mass (<i>Mms</i>)	4.40 oz [124.8 g]	4.37 oz [123.9 g]
Voice Coil Diameter	2.00 in [50.8 mm]	2.00 in [50.8 mm]
Voice Coil Winding Height	0.73 in [18.5 mm]	0.73 in [18.5 mm]
Voice Coil Former Material	5 Mil Aluminum	5 Mil Aluminum
Voice Coil Inductance	1.66 mH	2.96 mH
Force Factor (<i>Bl</i>)	11.5 Tm	14.6 Tm
Linear Excursion (<i>Xmax</i>)	0.26 in [6.6 mm]	0.26 in [6.6 mm]
Sensitivity (<i>SPL</i>)	92.0 dB W/m	92.0 dB W/m
Operating Power (<i>PE</i>)	100 W	100 W
Specifications May Vary Per Manufacturing Tolerances And Are Subject To Improvement Without Notice Frequency Response Curve Shown Represents Both 4Ω And 8Ω Units Upper Impedance Curve For 8Ω Unit; Lower Impedance Curve For 4Ω Unit		



PART NO.: SP-415	PART NAME: 15" Punch Woofer	
SP-815	TOLERANCE: N/A	SCALE: N.T.S.
RELEASE: #2 (11-1-90)	DRWN BY: <i>RSC</i>	APPR BY: <i>Chubb</i>

Jockford Fosgate

