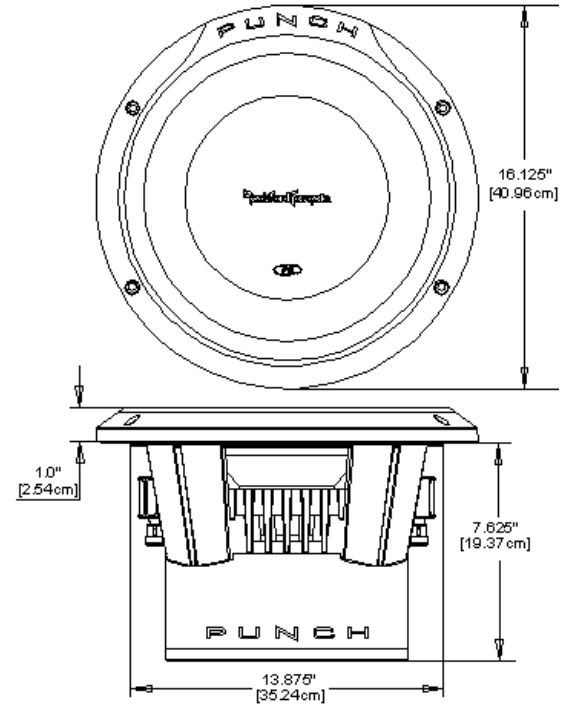


Model: P3D415

Type: DVC Subwoofer

Power Rating: 500 Watts

Impedance: (2) x 4 ohms



Features

- High modulus closed conical cone and ABS/Acrylic dustcap assembly.
- Kevlar fiber reinforced semi-pressed paper cone.
- Tear & fatigue resistant poly-cotton spider.
- Tall profile high density compressed half-roll sealed poly-foam surround.
- High temp voice coil with spun-laced Nomex™ insulating reinforcement collar.
- Optimized motor magnetics with extended pole and bumped backplate.
- Double stack ferrite magnet structure.
- Fatigue resistant and reduced strain "stitched on" flexible lead wire design.
- Multi-point high-temp/high-strength neck joint bonding technique.
- Rigid die-cast aluminum frame.
- Custom insulated/isolated compression input terminal assembly.
- Proprietary "Venturi effect" venting/cooling technique.
- Diamond-cut cast aluminum motor cover for improved heat dissipation.

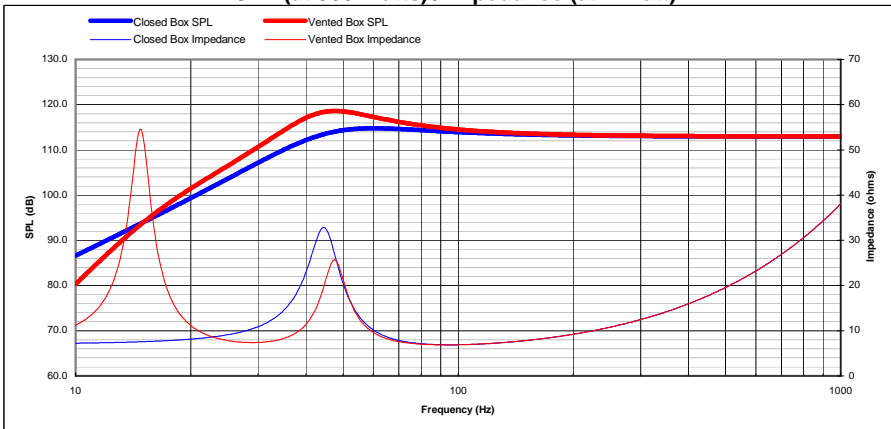
Recommended Applications

Enclosure	Volume (Vb)		Tuning(Fb)	System (Qtc)	-3dB (F3)	Port Dia.		Port Length	
	Liters	cu.ft.	Hz		Hz	in.	mm	in.	mm
Sealed:	45.3	1.60	34.7	1.07	34.9	-	-	-	-
Ported:	75.3	2.66	32.0	-	29.1	4.0	101.6	10.0	254.0

Thiele-Small Specifications

- Fs (Hz): 22.0
- Re (Ohms): 6.60
- Le (mH): 6.0
- Qts: 0.599
- Qes: 0.660
- Qms: 6.50
- Cms (m/N): 0.161
- Vas (L): 141.0
- Mms (g): 325.4
- Mmd (g): 299.4
- Rms (kg/s): 6.8
- Airload (g): 12.8
- No (%): 0.25
- SPL (dB - 1W/1M): 86.0
- BL (T*M): 21.1
- *Xmax₁₀ (mm): 16.2
- Sd (cm²): 790
- EBP: 33
- Krm (mOhms): 3.15
- Erm: 1.10
- Kxm (mH): 189.1
- Exm: 0.61
- Rem (Ohms): 47.46

SPL (at 500 Watts) / Impedance (at 1 Watt)



Technical Specifications

Voice Coil Diameter:	2.5	63.5	inches mm
Voice Coil Height:	1.46	37.1	inches mm
Voice Coil Layers:	4		layers
Magnetic Gap Height:	0.394	10.0	inches mm
Linear Excursion, pk-pk (Xmax):	0.53	13.5	inches mm
Maximum Excursion, pk-pk:	2.17	55.1	inches mm
Magnet Weight:	90	2.55	oz. kg
Woofer Displacement:	3.03	0.107	liters cubic ft.
Net Weight:	23.8	10.8	lbs. kg
Power Rating:	500	1000	RMS Peak

* All parameters are derived using a laser velocity measurement method and verified with actual measured Mmd and Re. All dual voice coil models are wired in series. Xmax₁₀ represents actual effective excursion at <10% THD.