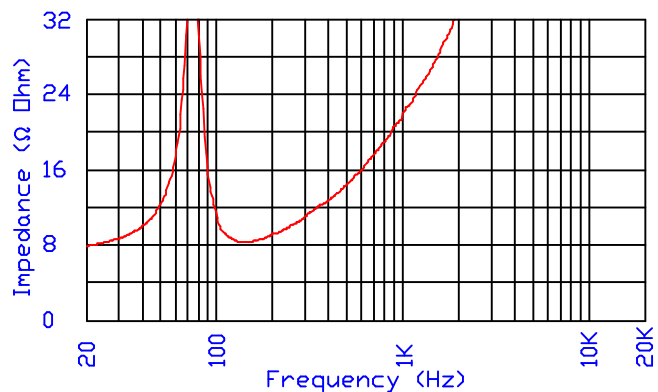
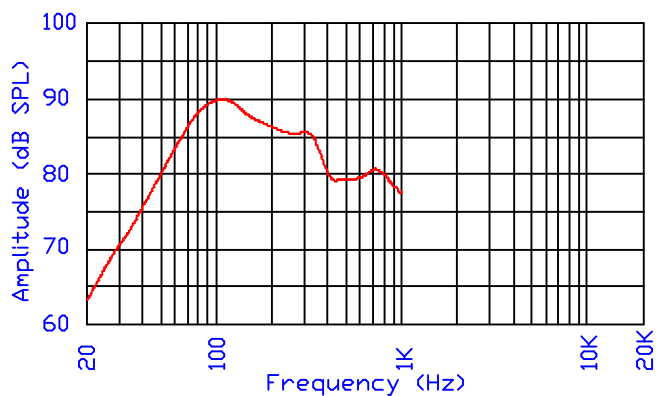


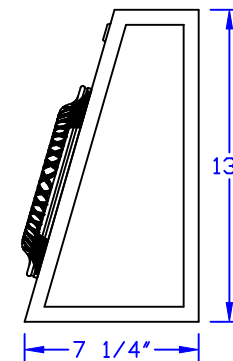
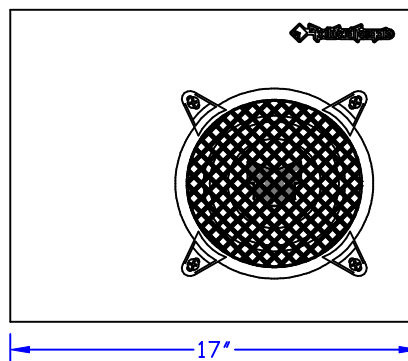
RTR1082 TECHNICAL DATA

System Type	8" Sealed Wedge Subwoofer Enclosure	Operating Power	400W RMS/800W Peak
Driver	(2) RFZ 8" Woofers	System Q	0.80
Frequency Responce	40-400Hz	Finish	Carpeted
Nominal Impedance	4 Ohm (2x8)	Enclosure Volume	.375ft^3 (10.6 liters)
Inductance	3.9mH Each		
Sensitivity	87dB At 1w/1m		

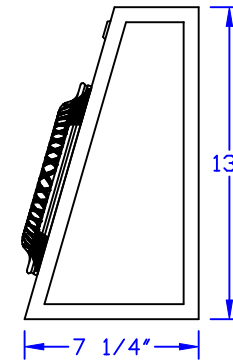
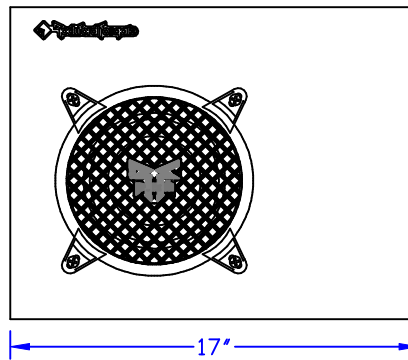
Specifications May Vary Per Manufacturing Tolerances And Are Subject To Improvement Without Notice.



LEFT ENCLOSURE



RIGHT ENCLOSURE



PRODUCT(S):	RTR1082	RELEASE:	#1	 Rockford Acoustic Designs 609 Myrtle North West Grand Rapids, MI 49504 Phone: 616-456-9528 Fax: 616-456-5648
DATE: DEC 21, 1998	TOLERANCE: N/A	SCALE: 1/8 x FULL	DRWN BY: DREW WOODMAN	
PART NAME: 8 IN WEDGE SUBWOOFER ENCLOSURE			APPR BY:	

AutoCad R.14