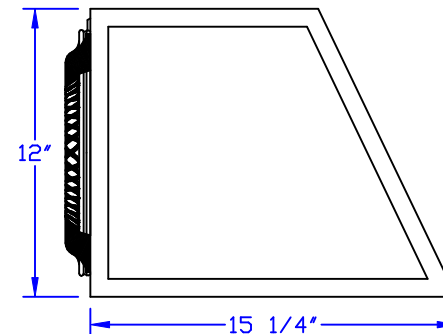
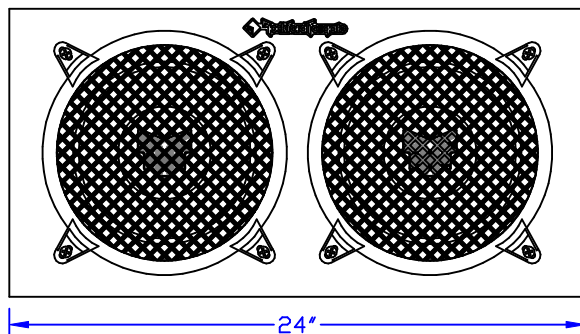
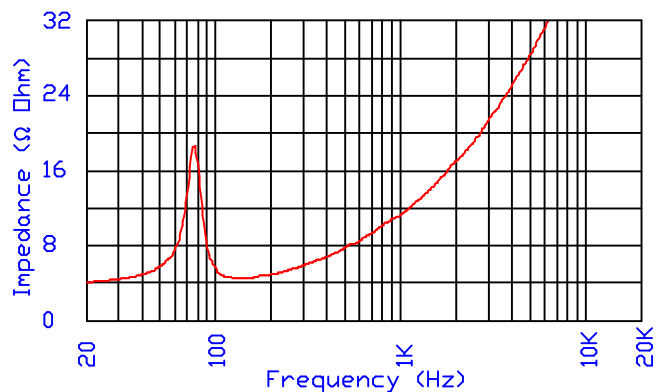
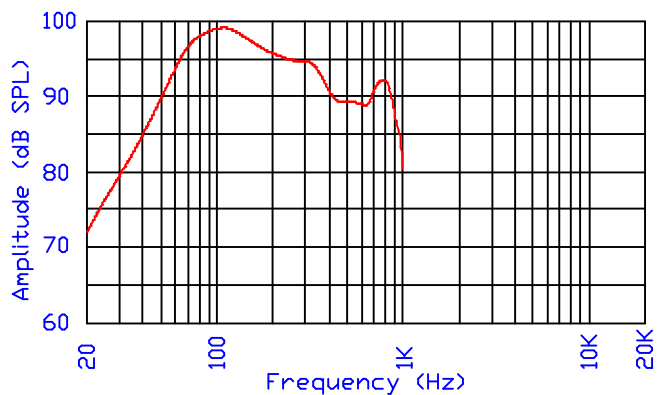


RFB2102 TECHNICAL DATA

System Type	Dual 10" Sealed Subwoofer Enclosure	Operating Power	400W RMS/800W Peak
Driver	(2) RFZ 10" Woofers	System Q	1.10
Frequency Responce	32-400Hz	Finish	Carpeted
Nominal Impedance	4 Ohm (2x8)	Enclosure Volume	1.50ft^3 (42.5 liters)
Inductance	3.9mH Each		
Sensitivity	94dB At 1w/1m		

Specifications May Vary Per Manufacturing Tolerances And Are Subject To Improvement Without Notice.



PRODUCT(S):	RFB2102	RELEASE:	#1
DATE: JAN 6, 1999	TOLERANCE: N/A	SCALE: 1/8 x FULL	DRWN BY: DREW WOODMAN
PART NAME:	10 IN DUAL SUBWOOFER ENCLOSURE	APPR BY:	

Rockford Acoustic Designs
 609 Myrtle North West
 Grand Rapids, MI 49504
 Phone: 616-456-9528
 Fax: 616-456-5648

AutoCad R.14