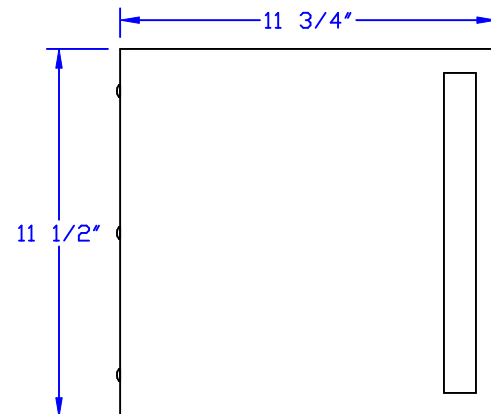
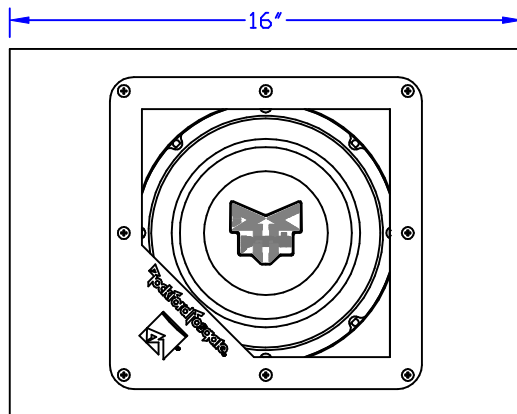
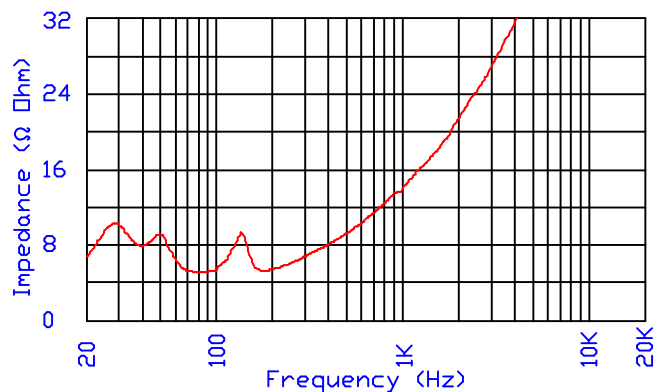
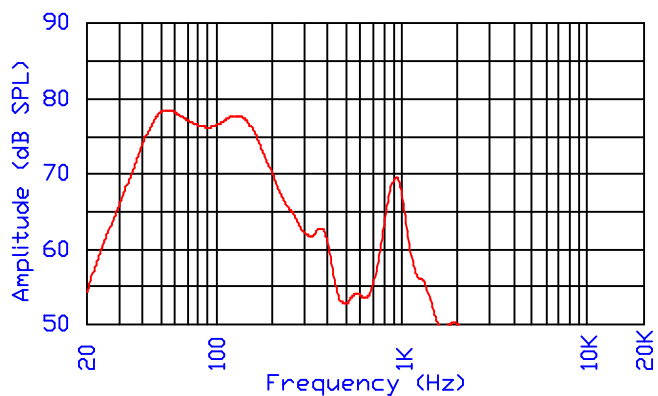



RBP1081 TECHNICAL DATA

System Type	Single 8" Band Pass Subwoofer Enclosure	Operating Power	100W RMS/200W Peak
Driver	(1) RFZ 8" Woofers	System Q	N/A
Frequency Responce	47-120Hz	Finish	Carpeted
Nominal Impedance	4 Ohm	Front Chamber Volume	0.30ft ³ (8.4 liters)
Inductance	3.9mH Each	Back Chamber Volume	0.30ft ³ (8.4 liters)
Sensitivity	80dB At 1w/1m		

Specifications May Vary Per Manufacturing Tolerances And Are Subject To Improvement Without Notice.



PRODUCT(S):	RBP1081	RELEASE:	#1	 Rockford Acoustic Designs 609 Myrtle North West Grand Rapids, MI 49504 Phone: 616-456-9528 Fax: 616-456-5648
DATE: FEB 19, 1999	TOLERANCE: N/A	SCALE: 1/6 x FULL	DRWN BY: DREW WOODMAN	
PART NAME:	8 IN SUBWOOFER ENCLOSURE		APPR BY:	

AutoCad R.14