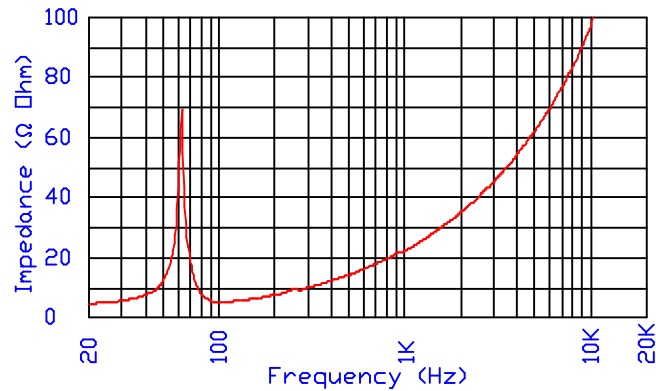
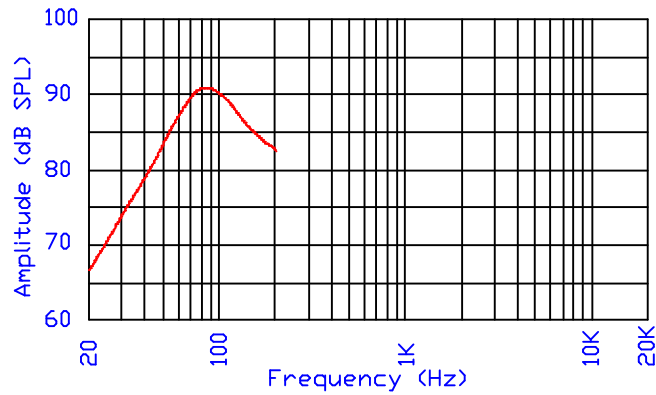


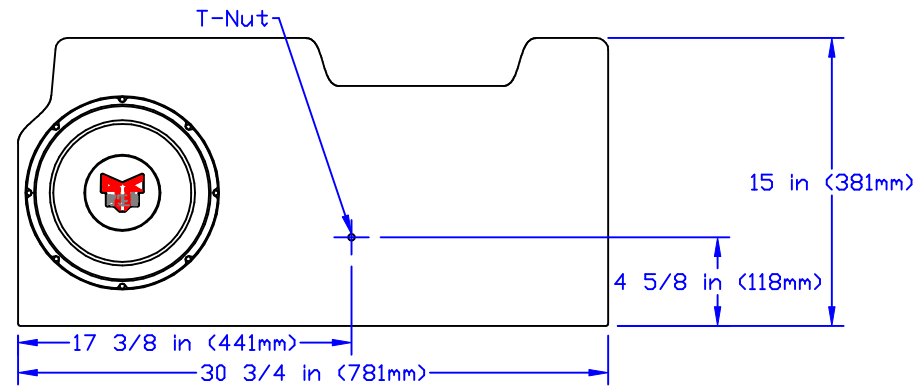
## VSP1500 TECHNICAL DATA

System Type	VSP 1500 Ext. Cab Sealed Sub Enclosure	Operating Power	200W RMS/400W Peak
Driver	(2) RFP2410 10" Long-throw Woofer	System Q	0.79
Frequency Responce	30-200Hz	Finish	Unfinished Urethane
Nominal Impedance	4Ω	Enclosure Volume	.74ft <sup>3</sup> (21 liters)
Inductance	2.5mH	Weight	22 1/2lbs (10.25kg) Each
Sensitivity	91dB At 1w/1m		

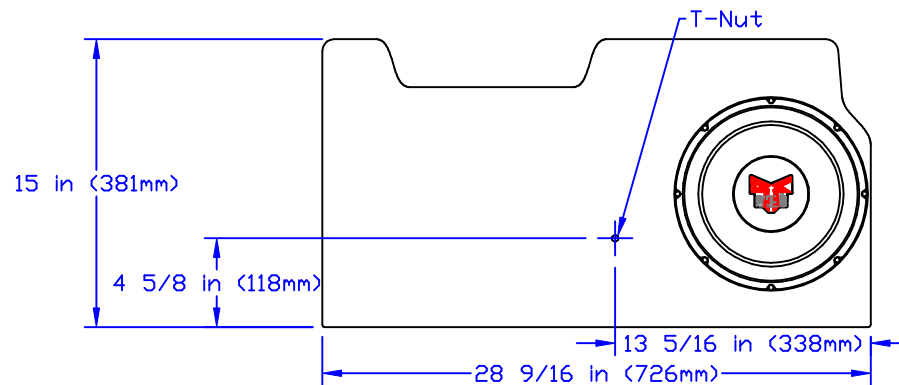
Specifications May Vary Per Manufacturing Tolerances And Are Subject To Improvement Without Notice.



RIGHT ENCLOSURE



LEFT ENCLOSURE



PRODUCT(S): VSP1500	RELEASE: #1	 Rockford Acoustic Designs 609 Myrtle North West Grand Rapids, MI 49504 Phone: 616-456-9528 Fax: 616-456-5648
DATE: OCT 29, 1998	DRWN BY: DREW WOODMAN	
TOLERANCE: N/A	APPR BY:	
PART NAME: VEHICLE SPECIFIC ENCLOSURE	SCALE: 1/10xFULL	AutoCad R.14