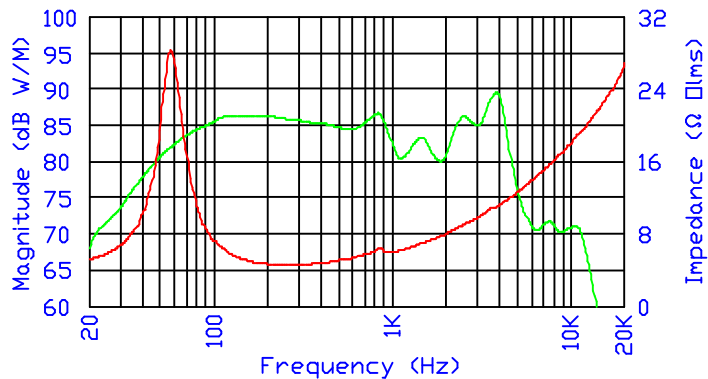
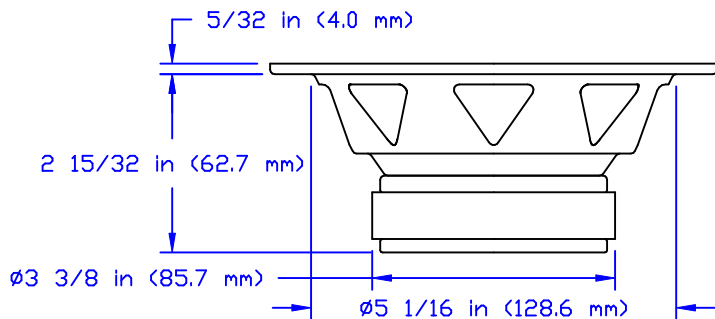
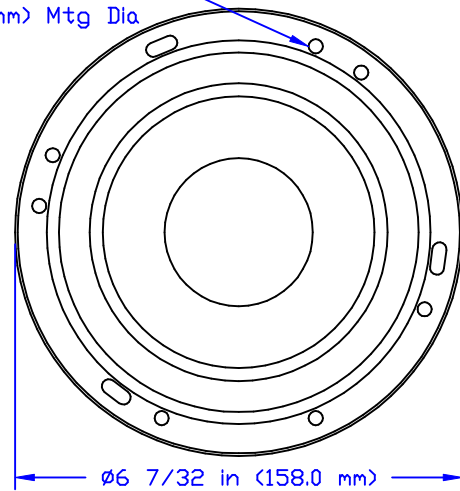


TECHNICAL DATA	FNX1406F
Nominal Diameter	6 in (152.4 mm)
Magnet Weight	13oz (369g)
Frequency Range	61-6kHz
Nominal Impedance	4Ω
DC Resistance (Re)	3.7Ω
Resonance Frequency (fs)	61Hz
Mechanical Q Factor (Qms)	3.30
Electrical Q Factor (Qes)	0.51
Total Q Factor (Qts)	0.44
Effective Cone Area (Sd)	17.05 in ² (0.011m ²)
Equivalent Air Volume (Vas)	.31 ft ³ (8.8L)
Compliance (Cms)	5.12E-04
Moving Mass (Mms)	.44oz (12.5g)
Voice Coil Diameter	1 in (25.4 mm)
Voice Coil Winding Height	.537 in (13.64 mm)
Voice Coil Former Material	3 MIL Aluminum
Voice Coil Inductance	0.68mH
Force Factor (Bl)	6.0Tm
Linear Excursion (Xmax)	0.145 in (3.7 mm)
Sensitivity (Spl)	88dB
Operating Power (Pe)	70W
Specifications May Vary Per Manufacturing Tolerances And Are Subject To Improvement Without Notice.	

(7) Ø3/16 in (4.8 mm) Holes
Spaced As Shown On
Ø5 19/32 in (142.1 mm) Mtg Dia



PRODUCT(S):	FNX1406F		RELEASE: #1
DATE: APR 29, 1998	TOLERANCE: N/A	SCALE: 3/8 x FULL	DRWN BY:
PART NAME: 6 IN FANATIC X FULL RANGE SPEAKER			APPR BY:



Rockford Acoustic Designs
609 Myrtle North West
Grand Rapids, MI 49504
Phone: 616-456-9528
Fax: 616-456-5648

AutoCad R.14