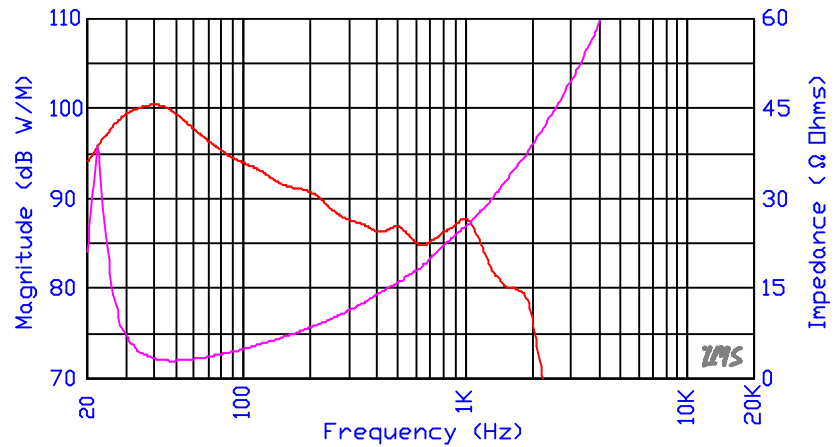
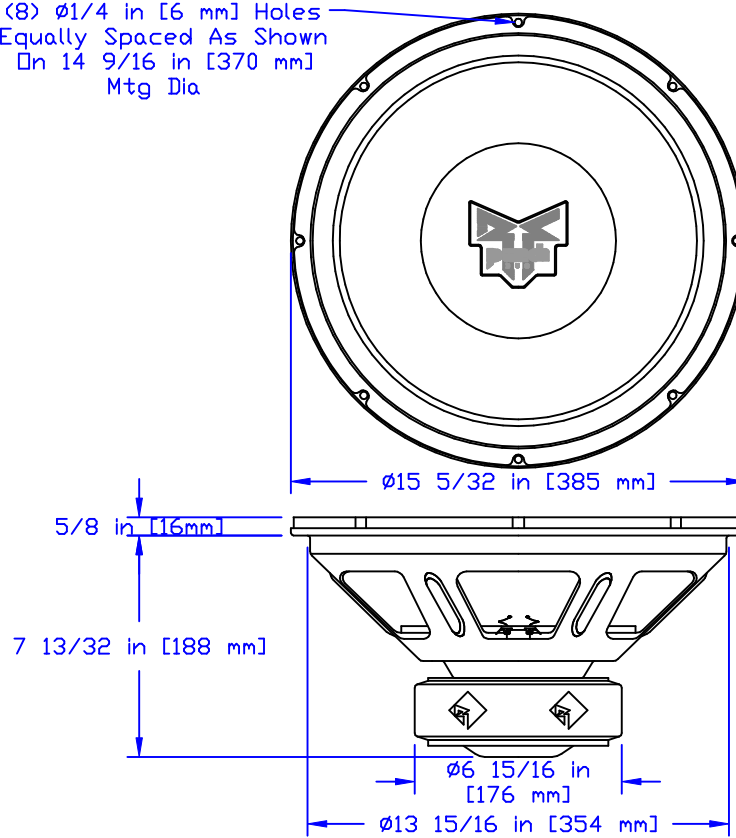


TECHNICAL DATA	RFP-1215
Nominal Diameter	15 in [381 mm]
Magnet Weight	102oz [2892g]
Frequency Range	20-150Hz
Nominal Impedance	2 x 4 Ω
DC Resistance (Re)	2 x 4 Ω
Resonance Frequency (fs)	21Hz
Mechanical Q Factor (Qms)	6.81
Electrical Q Factor (Qes)	0.35
Total Q Factor (Qts)	0.33
Effective Cone Area (Sd)	133 in ² [0.086m ²]
Equivalent Air Volume (Vas)	8.795 ft ³ [249L]
Compliance (Cms)	2.37E-04
Moving Mass (Mms)	9.207oz [261g]
Voice Coil Diameter	2.5 in [63.5 mm]
Voice Coil Winding Height	1.110 in [28.2 mm]
Voice Coil Former Material	5Mil Black Aluminum
Voice Coil Inductance	3.53mH
Force Factor (Bl)	13.9Tm
Linear Excursion (Xmax)	0.44 in [11.2 mm]
Sensitivity (Spl)	90dB
Operating Power (Pe)	500W RMS
Specifications May Vary Per Manufacturing Tolerances And Are Subject To Improvement Without Notice. Thiele-Small Data Measured With Both Voice Coils Wired In Parallel.	

(8) Ø1/4 in [6 mm] Holes
Equally Spaced As Shown
On 14 9/16 in [370 mm]
Mtg Dia



PART NO.: RFP-1215	PART NAME: 15 IN PUNCH DVC WOOFER	
	TOLERANCE: N/A	SCALE: 5/32xFULL
RELEASE: 1# (MAR 10, 1997)	DRWN BY:	APPR BY:



Rockford Acoustic Designs
609 Myrtle North West
Grand Rapids, MI 49504
Phone: 616-456-9528
Fax: 616-456-5648