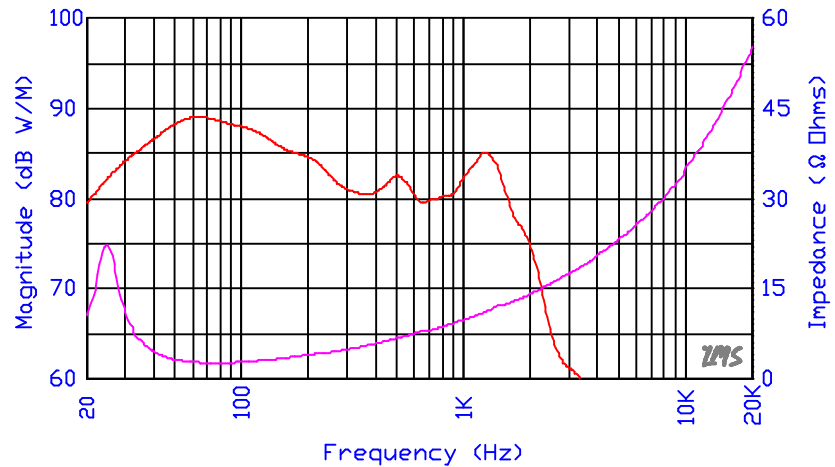
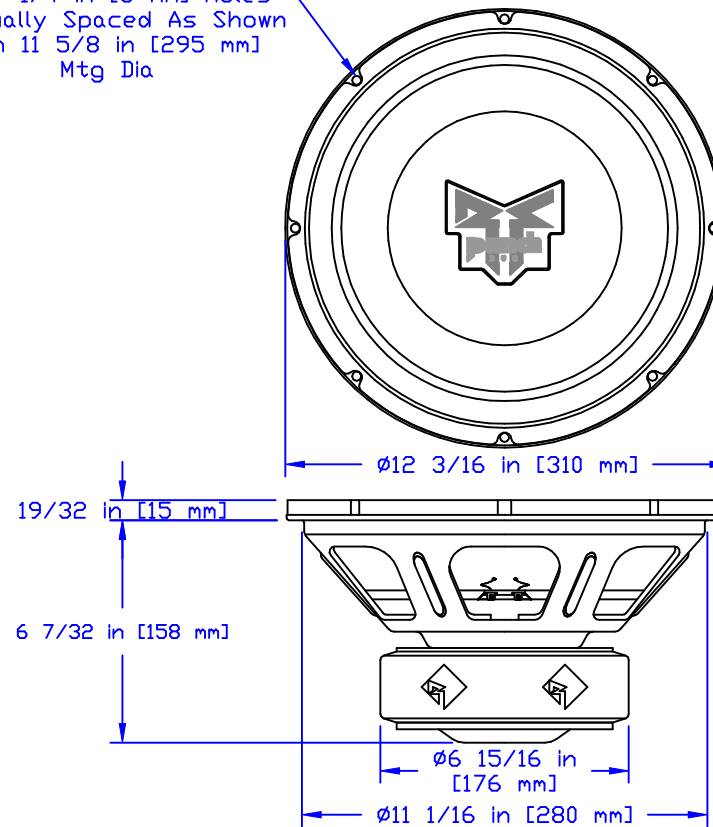


TECHNICAL DATA	RFP-1212
Nominal Diameter	12 in [304.8 mm]
Magnet Weight	102oz [2892g]
Frequency Range	25-200Hz
Nominal Impedance	2 x 4Ω
DC Resistance (Re)	2 x 3.3Ω
Resonance Frequency (fs)	25Hz
Mechanical Q Factor (Qms)	5.40
Electrical Q Factor (Qes)	0.45
Total Q Factor (Qts)	0.42
Effective Cone Area (Sd)	83.71 in <sup>2</sup> [0.054m <sup>2</sup> ]
Equivalent Air Volume (Vas)	3.670 ft <sup>3</sup> [103.9L]
Compliance (Cms)	2.51E-04
Moving Mass (Mms)	5.185oz [147g]
Voice Coil Diameter	2.5 in [63.5 mm]
Voice Coil Winding Height	1.250 in [31.75 mm]
Voice Coil Former Material	5Mil Black Aluminum
Voice Coil Inductance	1.12mH
Force Factor (Bl)	10.1Tm
Linear Excursion (Xmax)	0.44 in [11.2 mm]
Sensitivity (Spl)	88.7dB
Operating Power (Pe)	400W RMS
Specifications May Vary Per Manufacturing Tolerances And Are Subject To Improvement Without Notice. Thiele-Small Data Measured With Both Voice Coils Wired In Parallel.	

(8) 1/4 in [6 mm] Holes  
Equally Spaced As Shown  
On 11 5/8 in [295 mm]  
Mtg Dia



PART NO: RFP-1212	PART NAME: 12 IN PUNCH DVC WOOFER	
	TOLERANCE: N/A	SCALE: 3/16xFULL
RELEASE: 1# (MAR 10, 1997)	DRWN BY:	APPR BY:



Rockford Acoustic Designs  
609 Myrtle North West  
Grand Rapids, MI 49504  
Phone: 616-456-9528  
Fax: 616-456-5648