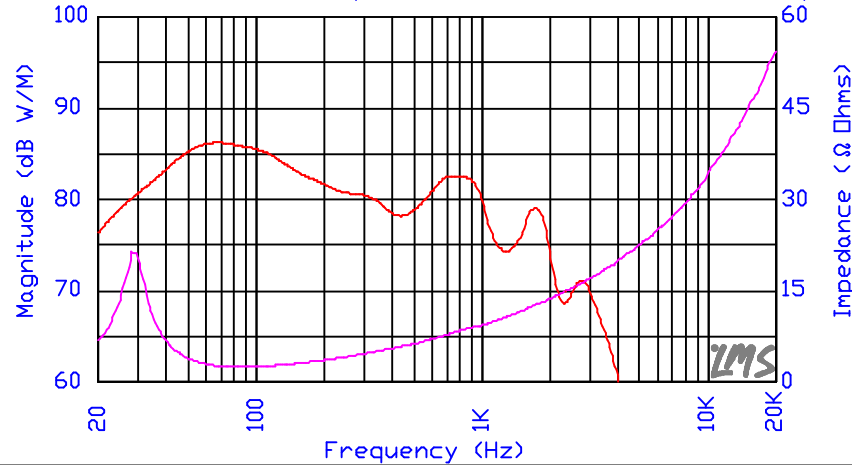
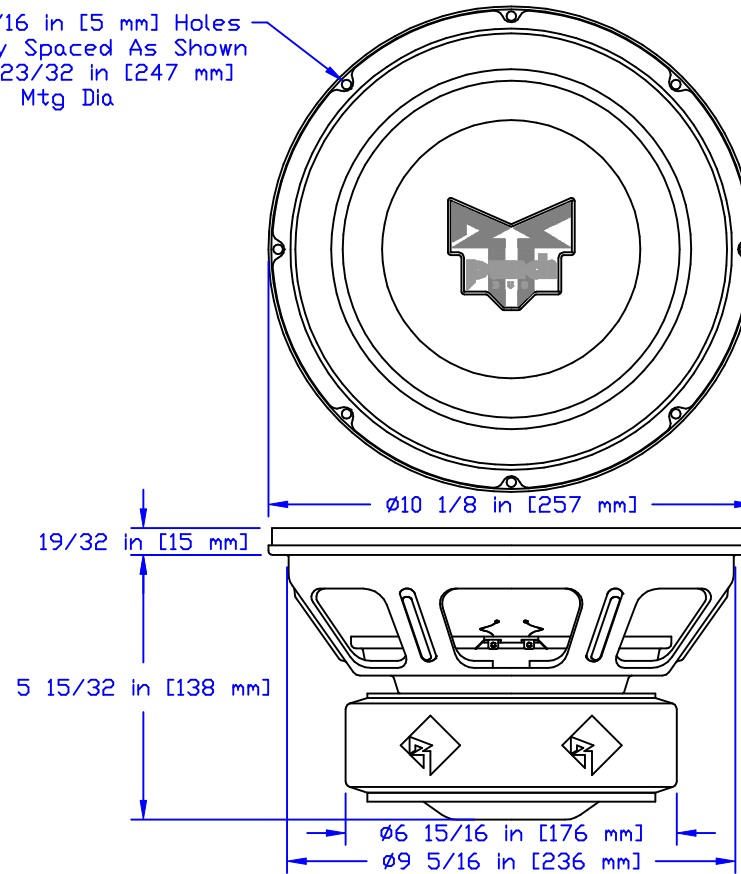


TECHNICAL DATA	RFP-1210
Nominal Diameter	10 in [254 mm]
Magnet Weight	102oz [2891.7g]
Frequency Range	30-200Hz
Nominal Impedance	2 x 4 Ω
DC Resistance (Re)	2 x 3.3 Ω
Resonance Frequency (fs)	30Hz
Mechanical Q Factor (Qms)	5.06
Electrical Q Factor (Qes)	.37
Total Q Factor (Qts)	.34
Effective Cone Area (Sd)	54.26 in ² [0.035m ²]
Equivalent Air Volume (Vas)	1.438 ft ³ [40.7L]
Compliance (Cms)	2.34E-04
Moving Mass (Mms)	4.409oz [125g]
Voice Coil Diameter	2.50 in [63.5 mm]
Voice Coil Winding Height	1.25 in [31.75 mm]
Voice Coil Former Material	5Mil Black Aluminum
Voice Coil Inductance	1.12mH
Force Factor (Bl)	10.8Tm
Linear Excursion (Xmax)	0.44 in [11.2 mm]
Sensitivity (Spl)	86dB
Operating Power (Pe)	400W RMS
Specifications May Vary Per Manufacturing Tolerances And Are Subject To Improvement Without Notice. Thiele-Small Data Measured With Both Voice Coils Wired In Parallel.	

(8) 3/16 in [5 mm] Holes
Equally Spaced As Shown
On 9 23/32 in [247 mm]
Mtg Dia



PART NO.: RFP-1210	PART NAME: 10 IN PUNCH DVC WOOFER	
	TOLERANCE: N/A	SCALE: 1/4 x FULL
RELEASE: #1 (MAR 10, 1997)	DRWN BY:	APPR BY:



Rockford Acoustic Designs
609 Myrtle North West
Grand Rapids, MI 49504
Phone: 616-456-9528
Fax: 616-456-5648