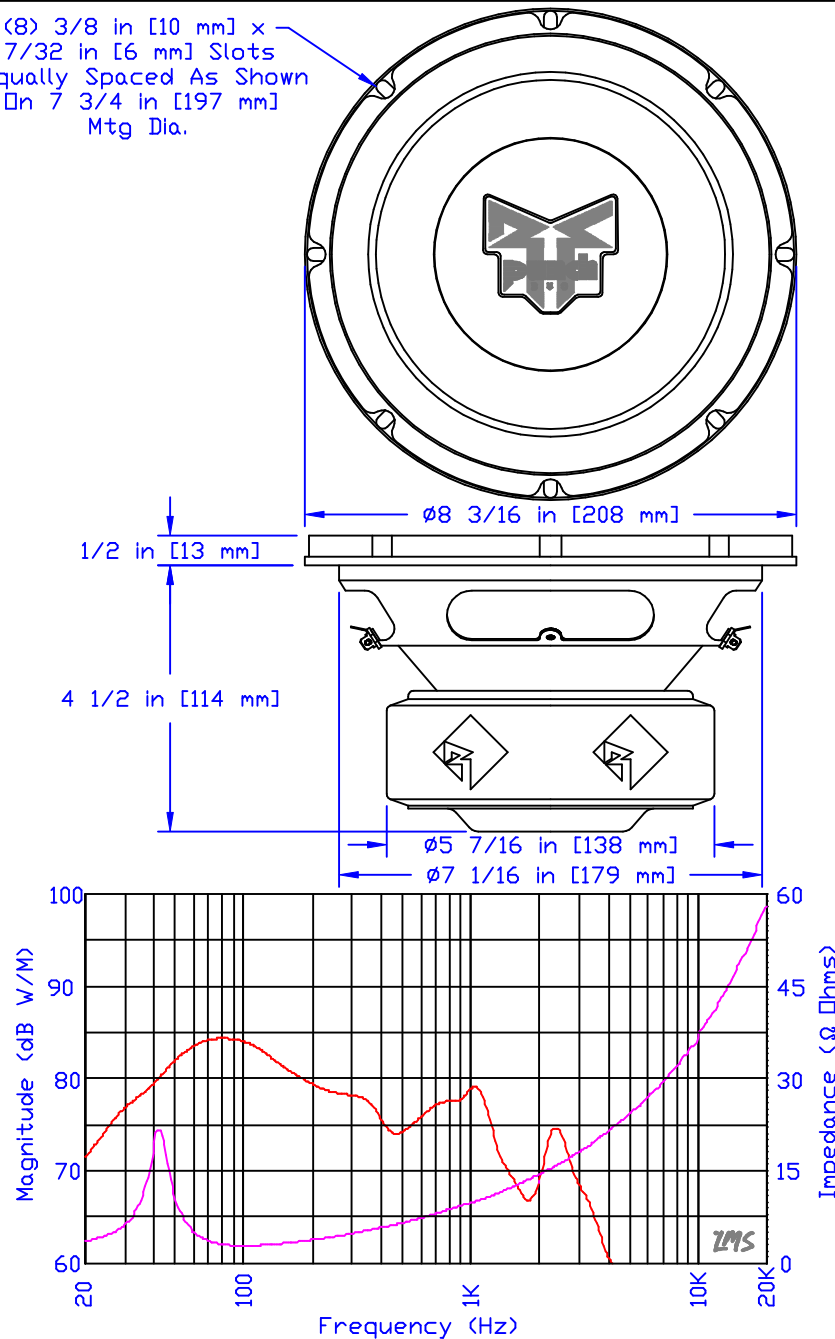


| TECHNICAL DATA | RFP-1208 |
|--|---|
| Nominal Diameter | 8 in [203 mm] |
| Magnet Weight | 60oz [1701g] |
| Frequency Range | 40-200Hz |
| Nominal Impedance | 2 x 4Ω |
| DC Resistance (Re) | 2 x 3.6Ω |
| Resonance Frequency (fs) | 40Hz |
| Mechanical Q Factor (Qms) | 5.13 |
| Electrical Q Factor (Qes) | 0.38 |
| Total Q Factor (Qts) | 0.36 |
| Effective Cone Area (Sd) | 34.1 in ² [0.022m ²] |
| Equivalent Air Volume (Vas) | .55 ft ³ [15.5L] |
| Compliance (Cms) | 2.25E-04 |
| Moving Mass (Mms) | 2.49oz [70.6g] |
| Voice Coil Diameter | 2.00 in [50.8 mm] |
| Voice Coil Winding Height | 1.110 in [28.2 mm] |
| Voice Coil Former Material | 5 Mil Black Aluminum |
| Voice Coil Inductance | 1.20mH |
| Force Factor (Bl) | 9.8Tm |
| Linear Excursion (Xmax) | 0.41 in [10.3 mm] |
| Sensitivity (Spl) | 85dB |
| Operating Power (Pe) | 250W RMS |
| Specifications May Vary Per Manufacturing Tolerances And Are Subject To Improvement Without Notice. Thiele-Small Data Measured With Both Voice Coils Wired In Parallel. | |

(8) 3/8 in [10 mm] x
7/32 in [6 mm] Slots
Equally Spaced As Shown
On 7 3/4 in [197 mm]
Mtg Dia.



| | | |
|----------------------------|----------------------------------|------------------|
| PART NO: RFP-1208 | PART NAME: 8 IN PUNCH DVC WOOFER | |
| | TOLERANCE: N/A | SCALE: 5/16xFULL |
| RELEASE: #1 (MAR 10, 1997) | DRWN BY: | APPR BY: |



Rockford Acoustic Designs
609 Myrtle North West
Grand Rapids, MI 49504
Phone: 616-456-9528
Fax: 616-456-5648