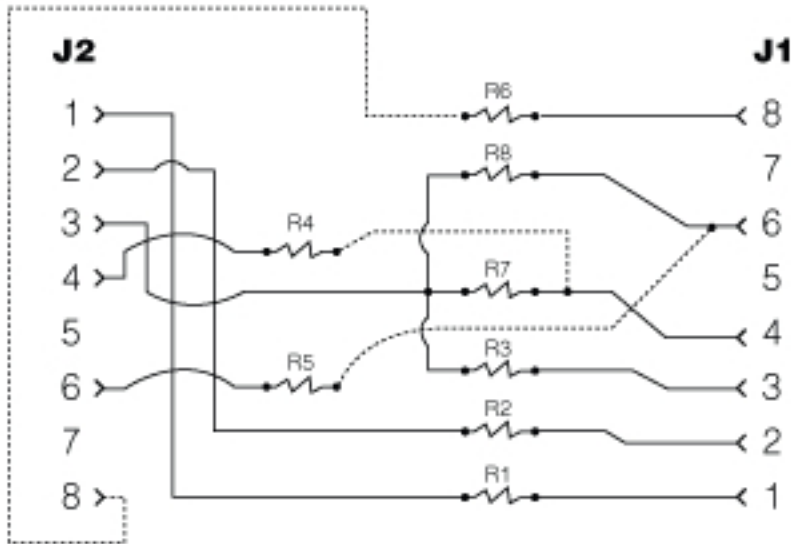


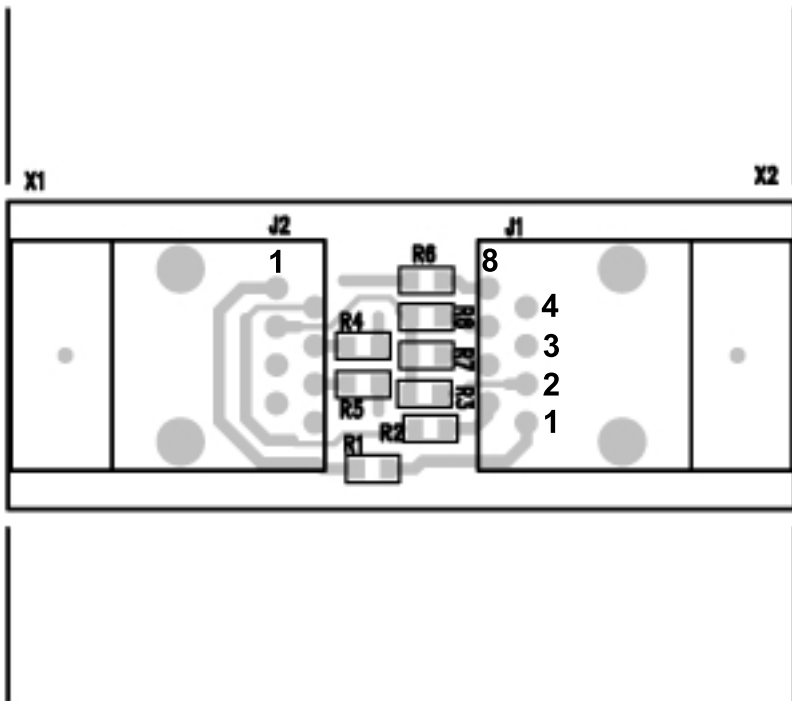


This modification is for Power 500m amplifiers used in combination with the PSD1 Punch Status Display. Failure to implement this modification between the amplifier and PSD1 will result in aberrant behavior.

Solid = Top Traces
Dashed = Bottom Traces



Reference	Logic Type	PartNumber	Value
J1	CON	CC-0786	8-pin phone jack
J2	CON	CC-0786	8-pin phone jack
R1	RES	RM/10-000B	0Ω Jumper
R2	RES	RM/10-003B	10kΩ 5%
R3	RES	RM/10-333B	33kΩ 5%
R4	RES	RM/10-000B	0Ω Jumper
R5	RES	RM/10-000B	0Ω Jumper
R6	RES	RM/10-000B	0Ω Jumper
R7	RES	RM/10-003B	10kΩ 5%
R8	RES	RM/10-003B	10kΩ 5%



ROCKFORD CORP
FOSGATE DIVISION
PC-1331-A REV A
SCALE: 2 X 1