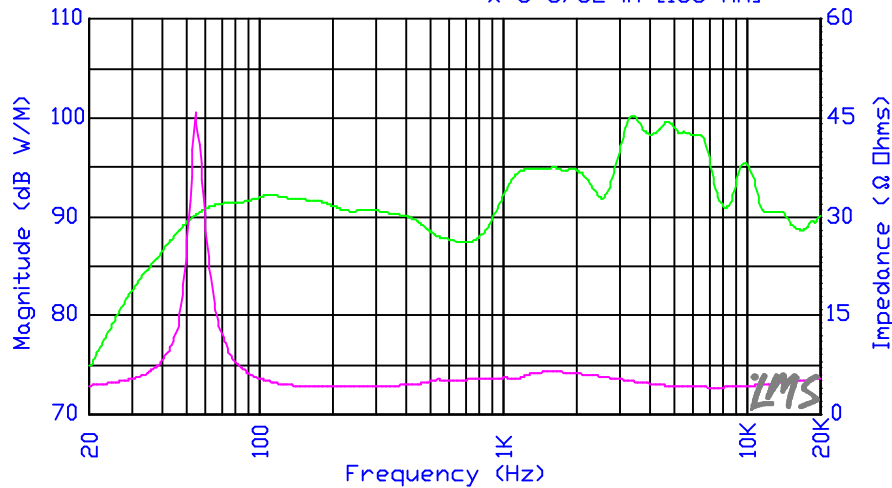
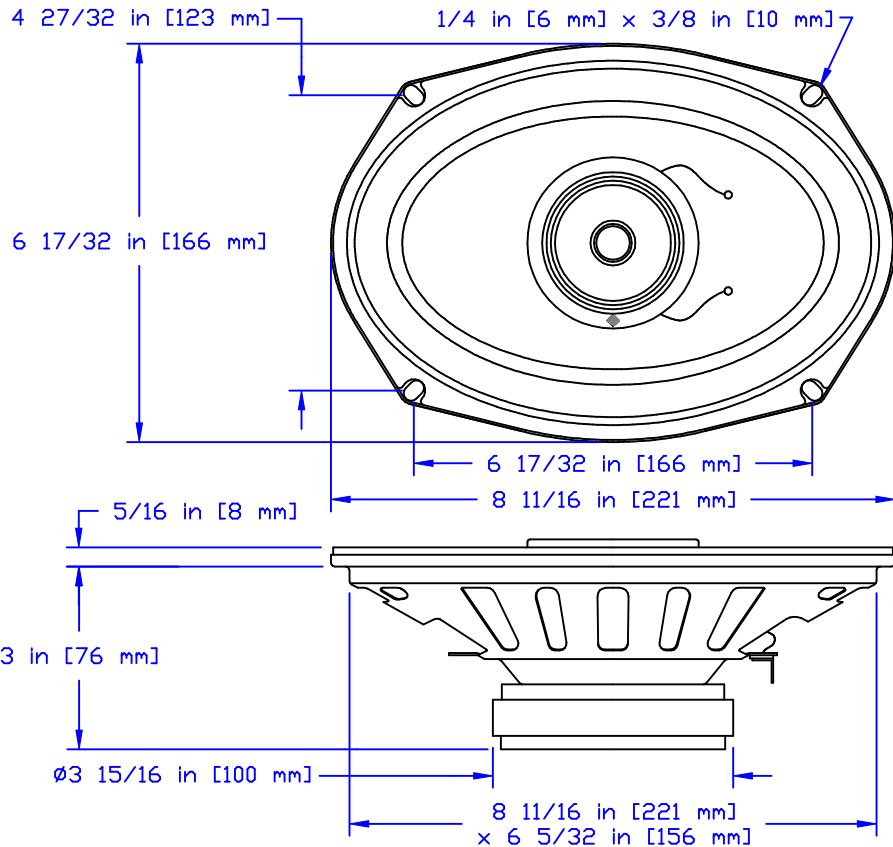


TECHNICAL DATA	RFP-1469
Nominal Diameter	6x9 in [152.4 mm x 228.6 mm]
Magnet Weight	15oz [425.2g]
Frequency Range	60-20kHz
Nominal Impedance	4 Ω
DC Resistance (Re)	3.6 Ω
Resonance Frequency (fs)	60Hz
Mechanical Q Factor (Qms)	7.74
Electrical Q Factor (Qes)	0.722
Total Q Factor (Qts)	0.66
Effective Cone Area (Sd)	29.45 in <sup>2</sup> [0.019m <sup>2</sup> ]
Equivalent Air Volume (Vas)	.6888 ft <sup>3</sup> [19.5L]
Compliance (Cms)	3.76E-04
Moving Mass (Mms)	.6490oz [18.4g]
Voice Coil Diameter	1.25 in [31.8 mm]
Voice Coil Winding Height	.4 in [10.2 mm]
Voice Coil Former Material	Kapton
Voice Coil Inductance	0.46mK
Force Factor (Bl)	6Tm
Linear Excursion (Xmax)	0.08 in [2 mm]
Sensitivity (Spl)	92dB
Operating Power (Pe)	100W Peak
Specifications May Vary Per Manufacturing Tolerances And Are Subject To Improvement Without Notice.	



PART NO.: RFP-1469	PART NAME: 6x9 IN PUNCH FULL RANGE SPEAKER	
	TOLERANCE: N/A	SCALE: NTS
RELEASE: #1 (JULY 3, 1996)	DRWN BY:	APPR BY:



Rockford Acoustic Designs  
 609 Myrtle North West  
 Grand Rapids, MI 49504  
 Phone: 616-456-9528  
 Fax: 616-456-5648