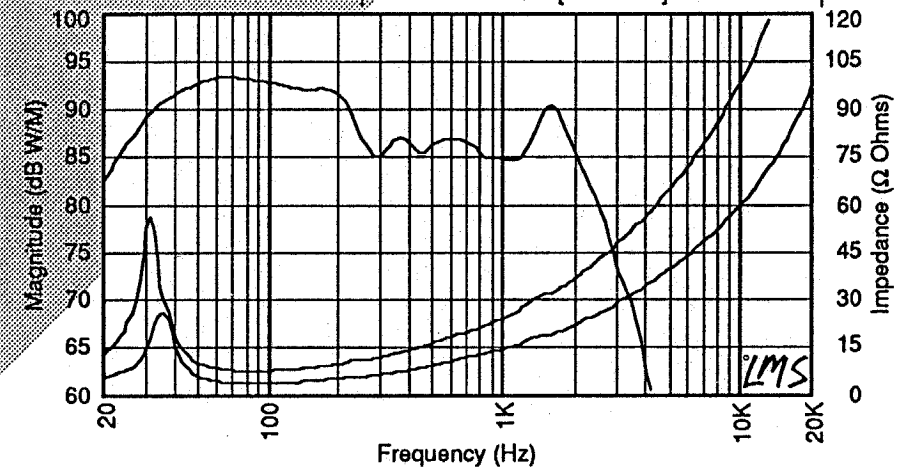
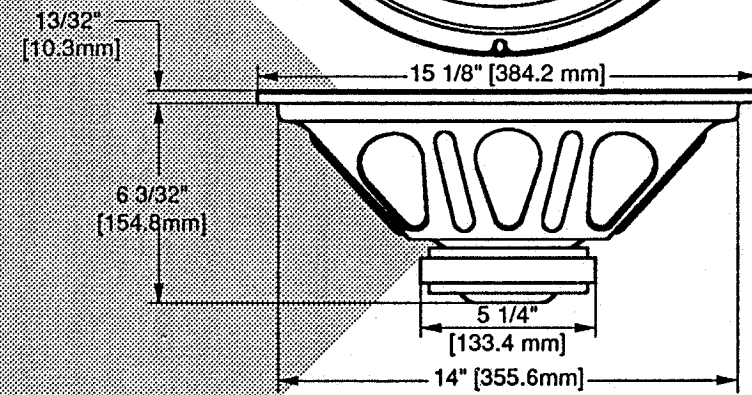
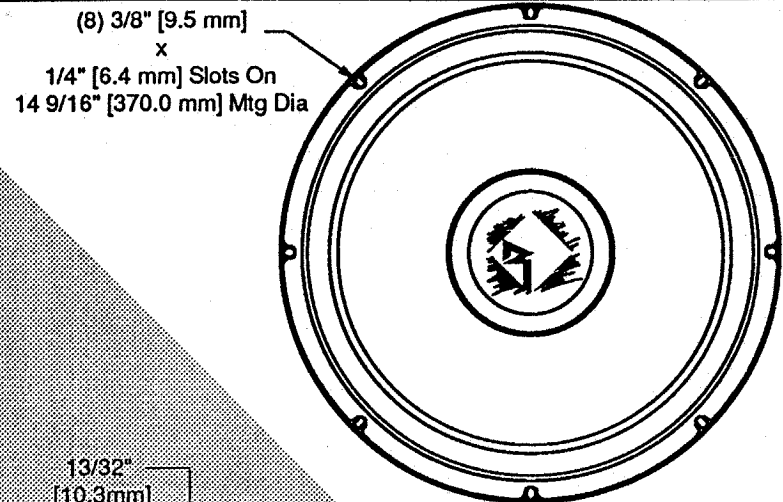


TECHNICAL DATA	S1-415	S1-815
Nominal Diameter	15.00 in [381.0 mm]	15.00 in [381.0 mm]
Magnet Weight	38.00 oz [1079.2 g]	38.00 oz [1079.2 g]
Frequency Range	26 - 2,500 Hz	27 - 2,500 Hz
Nominal Impedance	4Ω	8Ω
DC Resistance (RE)	3.4Ω	6.7Ω
Resonance Frequency (fs)	26 Hz	27 Hz
Mechanical Q Factor (QMS)	4.89	3.90
Electrical Q Factor (QES)	0.49	0.59
Total Q Factor (QTS)	0.44	0.51
Effective Cone Area (Sp)	134.54 in ² [0.0868 m ²]	134.54 in ² [0.0868 m ²]
Equivalent Air Volume (Vas)	11.336 ft ³ [321.0 L]	11.336 ft ³ [321.0 L]
Compliance (CMS)	0.00030 m/N	0.00030 m/N
Moving Mass (MMS)	4.30 oz [122.0 g]	4.09 oz [116.0 g]
Voice Coil Diameter	2.00 in [50.8 mm]	2.00 in [50.8 mm]
Voice Coil Winding Height	0.78 in [19.8 mm]	0.78 in [19.8 mm]
Voice Coil Former Material	5 Mil Aluminum	5 Mil Aluminum
Voice Coil Inductance	1.71 mH	2.87 mH
Force Factor (BI)	11.8 Tm	15.0 Tm
Linear Excursion (Xmax)	0.23 in [5.9 mm]	0.23 in [5.9 mm]
Sensitivity (SPL)	93.0 dB W/m	93.0 dB W/m
Operating Power (PE)	150 W	150 W
Specifications May Vary Per Manufacturing Tolerances And Are Subject To Improvement Without Notice Frequency Response Curve Shown Represents Both 4Ω And 8Ω Units Upper Impedance Curve For 8Ω Unit; Lower Impedance Curve For 4Ω Unit		



PART NO.: S1-415	PART NAME: 15" Series One Woofer	
S1-815	TOLERANCE: N/A	SCALE: 14%
RELEASE: #1 Jul 5, 1994	DRWN BY:	APPR BY:

