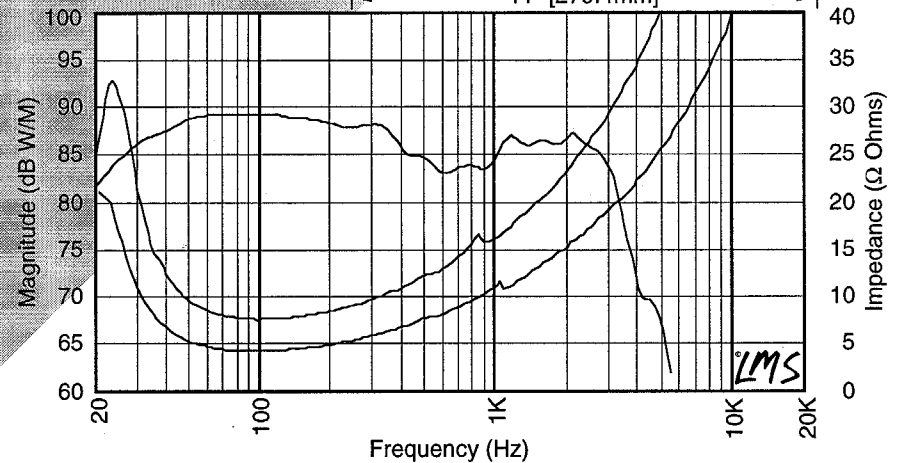
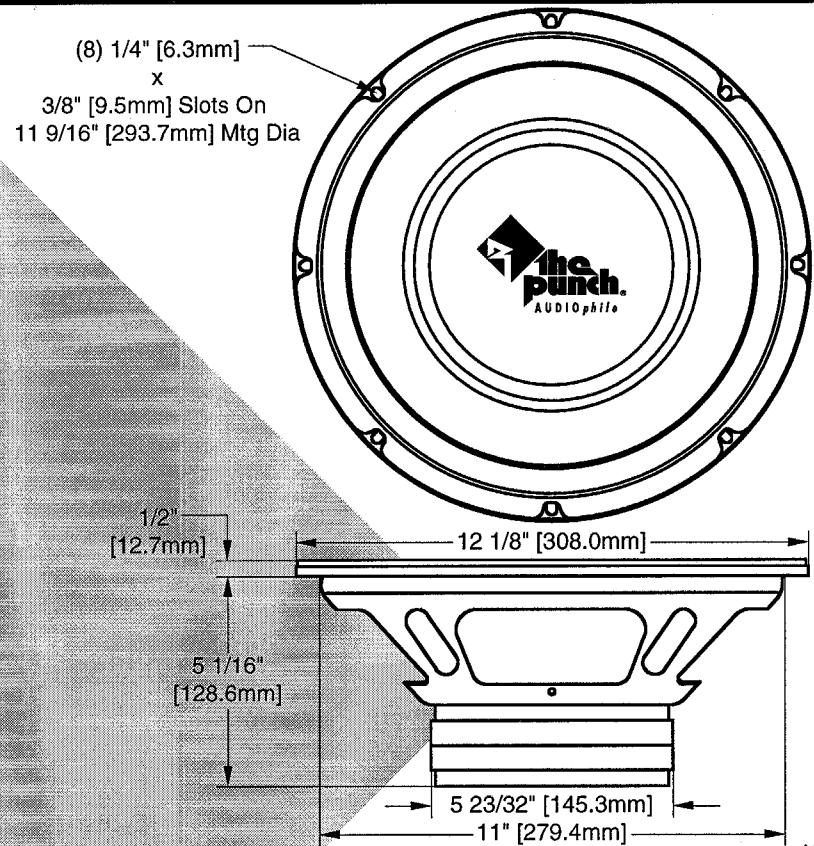


TECHNICAL DATA	RFA-412	RFA-812
Nominal Diameter	12.00 in [304.8 mm]	12.00 in [304.8 mm]
Magnet Weight	64.00 oz [1,814.4 g]	64.00 oz [1,814.4 g]
Frequency Range	21 - 1,000 Hz	22 - 1,000 Hz
Nominal Impedance	4Ω	8Ω
DC Resistance (<i>RE</i>)	3.5Ω	7.0Ω
Resonance Frequency (<i>fs</i>)	21 Hz	22 Hz
Mechanical Q Factor (<i>Qms</i>)	2.20	2.80
Electrical Q Factor (<i>QES</i>)	0.45	0.58
Total Q Factor (<i>QTS</i>)	0.38	0.48
Effective Cone Area (<i>SD</i>)	84.48 in ² [0.0545 m ²]	84.48 in ² [0.0545 m ²]
Equivalent Air Volume (<i>Vas</i>)	9.182 ft ³ [260.0 L]	9.182 ft ³ [260.0 L]
Compliance (<i>Cms</i>)	0.00620 m/N	0.00620 m/N
Moving Mass (<i>Mms</i>)	3.25 oz [92.0 g]	2.93 oz [83.0 g]
Voice Coil Diameter	2.50 in [63.5 mm]	2.50 in [63.5 mm]
Voice Coil Winding Height	1.16 in [29.5 mm]	1.16 in [29.5 mm]
Voice Coil Former Material	5 Mil Aluminum	5 Mil Aluminum
Voice Coil Inductance	1.00 mH	1.60 mH
Force Factor (<i>Bl</i>)	9.6 Tm	11.5 Tm
Linear Excursion (<i>Xmax</i>)	0.37 in [9.3 mm]	0.37 in [9.3 mm]
Sensitivity (<i>SPL</i>)	89.4 dB W/m	89.0 dB W/m
Operating Power (<i>PE</i>)	250 W	250 W
Specifications May Vary Per Manufacturing Tolerances And Are Subject To Improvement Without Notice Frequency Response Curve Shown Represents Both 4Ω And 8Ω Units Upper Impedance Curve For 8Ω Unit; Lower Impedance Curve For 4Ω Unit		



PART NO.: RFA-412	PART NAME: 12" Audiophile Woofer	
RFA-812	TOLERANCE: N/A	SCALE: 23%
RELEASE: #2 (Oct 4, 1994)	DRWN BY:	APPR BY:

