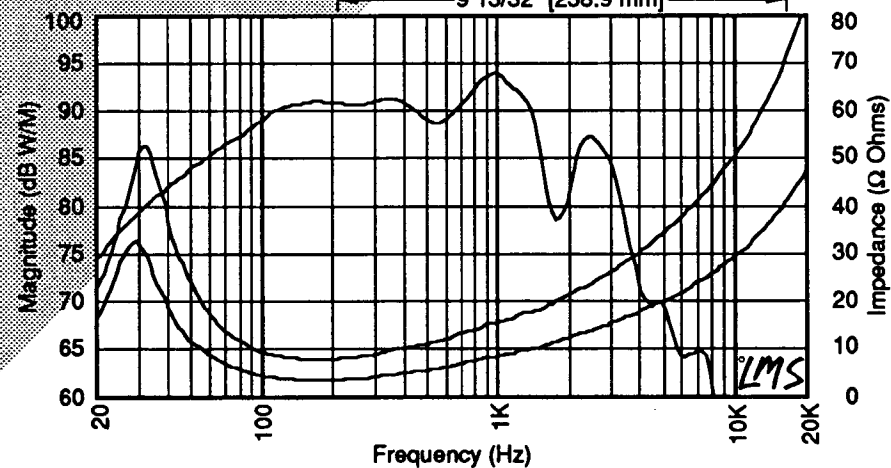
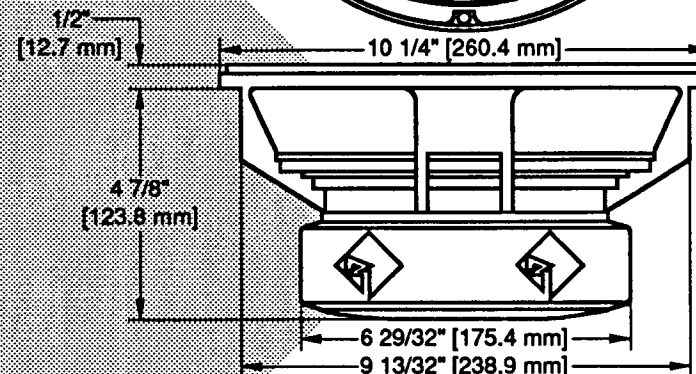
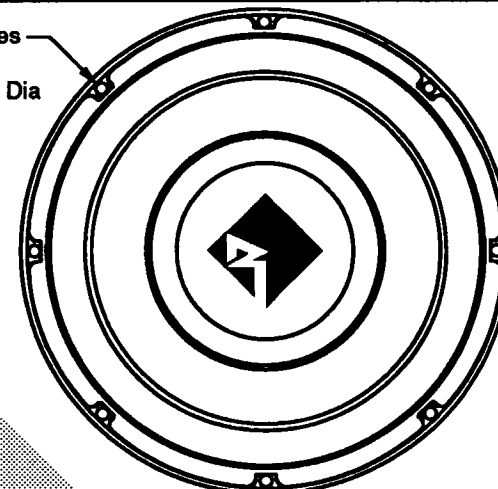


TECHNICAL DATA	PWR-410	PWR-810
Nominal Diameter	10.00 in [254.0 mm]	10.00 in [254.0 mm]
Magnet Weight	102.00 oz [2,891.7 g]	102.00 oz [2,891.7 g]
Frequency Range	30 - 2,500 Hz	33 - 2,500 Hz
Nominal Impedance	4Ω	8Ω
DC Resistance (RE)	3.5Ω	7.0Ω
Resonance Frequency (fs)	30 Hz	33 Hz
Mechanical Q Factor (QMS)	2.11	2.10
Electrical Q Factor (QES)	0.24	0.32
Total Q Factor (QTS)	0.22	0.28
Effective Cone Area (SD)	54.87 in <sup>2</sup> [0.0354 m <sup>2</sup> ]	54.87 in <sup>2</sup> [0.0354 m <sup>2</sup> ]
Equivalent Air Volume (VAS)	2.507 ft <sup>3</sup> [71.0 L]	2.507 ft <sup>3</sup> [71.0 L]
Compliance (CMS)	0.00041 m/N	0.00041 m/N
Moving Mass (MMS)	2.47 oz [70.0 g]	2.22 oz [63.0 g]
Voice Coil Diameter	3.00 in [76.2 mm]	3.00 in [76.2 mm]
Voice Coil Winding Height	1.00 in [25.4 mm]	1.00 in [25.4 mm]
Voice Coil Former Material	5 Mil Aluminum	5 Mil Aluminum
Voice Coil Inductance	1.00 mH	1.50 mH
Force Factor (BI)	13.7 Tm	17.2 Tm
Linear Excursion (Xmax)	0.30 in [7.7 mm]	0.30 in [7.7 mm]
Sensitivity (SPL)	91.0 dB W/m	91.0 dB W/m
Operating Power (PE)	300 W	300 W
Specifications May Vary Per Manufacturing Tolerances And Are Subject To Improvement Without Notice Frequency Response Curve Shown Represents Both 4Ω And 8Ω Units Upper Impedance Curve For 8Ω Unit; Lower Impedance Curve For 4Ω Unit		

(8) Ø1/4" [6.4 mm] Holes  
Equally Spaced On  
9 11/16" [246.1 mm] Mtg Dia



PART NO.: PWR-410	PART NAME: 10" Power Woofer	
PWR-810	TOLERANCE: N/A	SCALE: 26%
RELEASE: #1 (Mar 30, 1994)	DRWN BY: <i>[Signature]</i>	APPR BY: <i>[Signature]</i>

