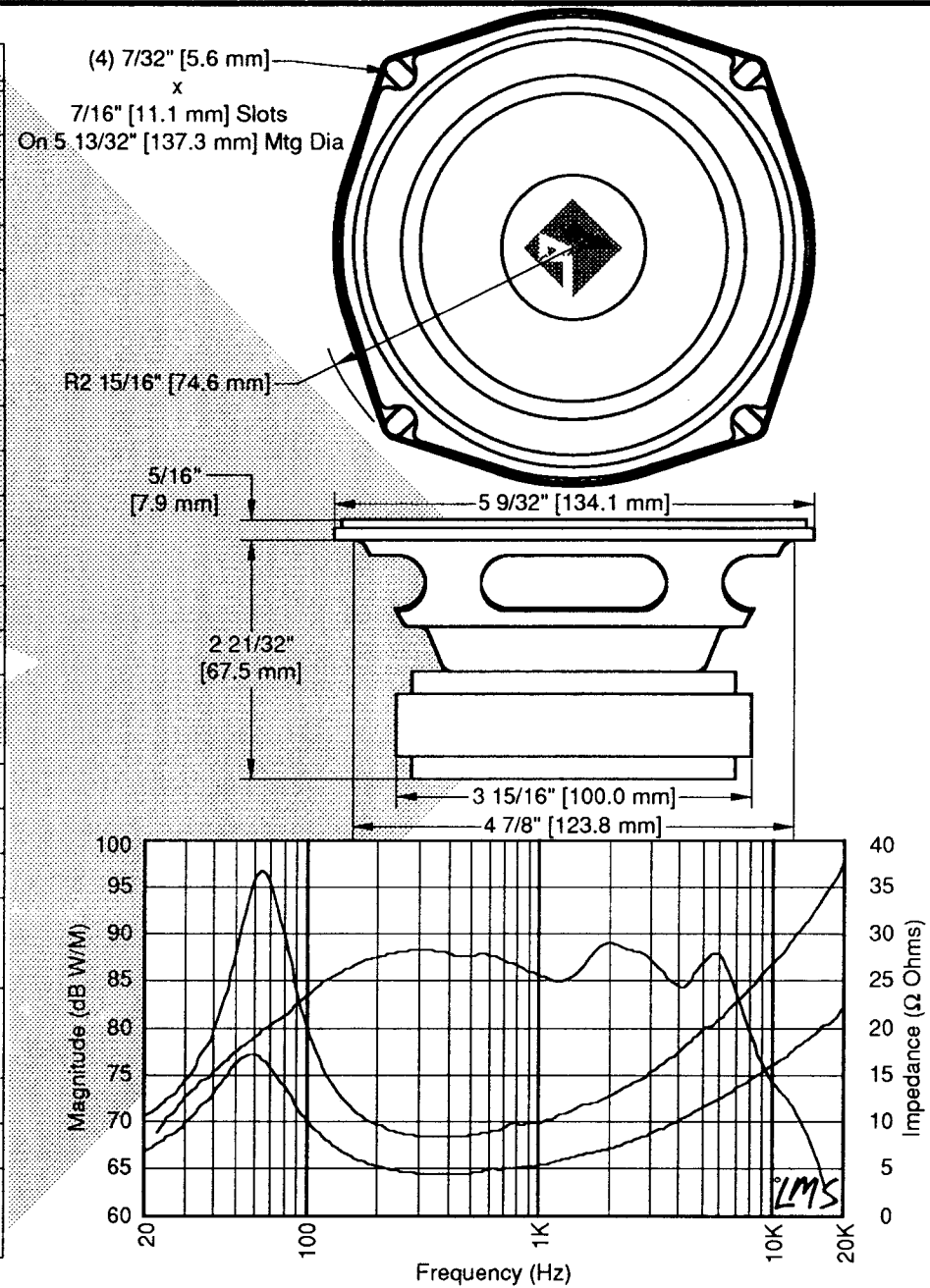


TECHNICAL DATA	PWR-54	PWR-58
Nominal Diameter	5.25 in [133.4 mm]	5.25 in [133.4 mm]
Magnet Weight	19.40 oz [550.0 g]	19.40 oz [550.0 g]
Frequency Range	70 - 7,000 Hz	72 - 7,000 Hz
Nominal Impedance	4Ω	8Ω
DC Resistance ( <i>RE</i> )	3.8Ω	7.6Ω
Resonance Frequency ( <i>fs</i> )	70 Hz	72 Hz
Mechanical Q Factor ( <i>QMS</i> )	1.52	1.71
Electrical Q Factor ( <i>QES</i> )	0.37	0.42
Total Q Factor ( <i>QTS</i> )	0.30	0.34
Effective Cone Area ( <i>SD</i> )	14.73 in <sup>2</sup> [0.0095 m <sup>2</sup> ]	14.73 in <sup>2</sup> [0.0095 m <sup>2</sup> ]
Equivalent Air Volume ( <i>VAS</i> )	0.198 ft <sup>3</sup> [5.6 L]	0.198 ft <sup>3</sup> [5.6 L]
Compliance ( <i>CMS</i> )	0.00046 m/N	0.00046 m/N
Moving Mass ( <i>MMS</i> )	0.40 oz [11.3 g]	0.38 oz [10.9 g]
Voice Coil Diameter	1.50 in [38.1 mm]	1.50 in [38.1 mm]
Voice Coil Winding Height	0.38 in [9.7 mm]	0.38 in [9.7 mm]
Voice Coil Former Material	3.5 Mil Aluminum	3.5 Mil Aluminum
Voice Coil Inductance	0.30 mH	0.46 mH
Force Factor ( <i>Bl</i> )	6.8 Tm	8.7 Tm
Linear Excursion ( <i>Xmax</i> )	0.06 in [1.6 mm]	0.06 in [1.6 mm]
Sensitivity ( <i>SPL</i> )	89.0 dB W/m	89.0 dB W/m
Operating Power ( <i>PE</i> )	120 W	120 W
Specifications May Vary Per Manufacturing Tolerances And Are Subject To Improvement Without Notice Frequency Response Curve Shown Represents Both 4Ω And 8Ω Units Upper Impedance Curve For 8Ω Unit; Lower Impedance Curve For 4Ω Unit		



PART NO.: PWR-54	PART NAME: 5.25" Power Midrange	
PWR-58	TOLERANCE: N/A	SCALE: 50%
RELEASE: #1 (Feb 16, 1994)	DRWN BY: <i>EBW</i>	APPR BY: <i>Chum</i>

