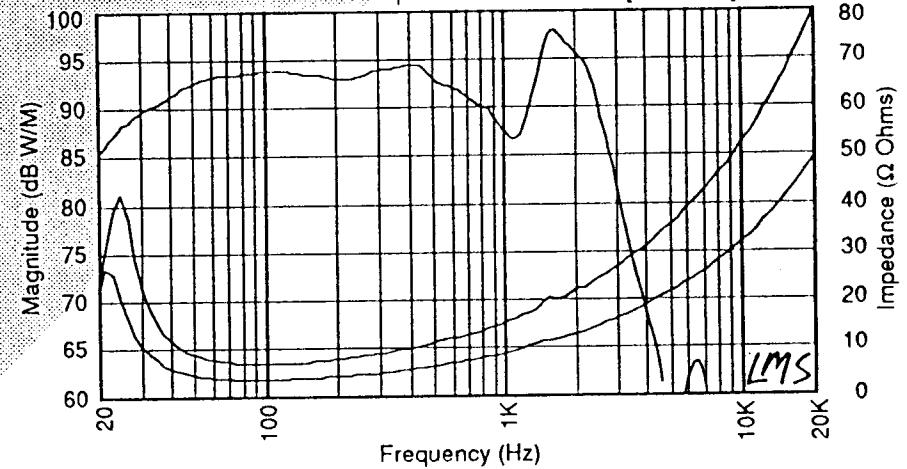
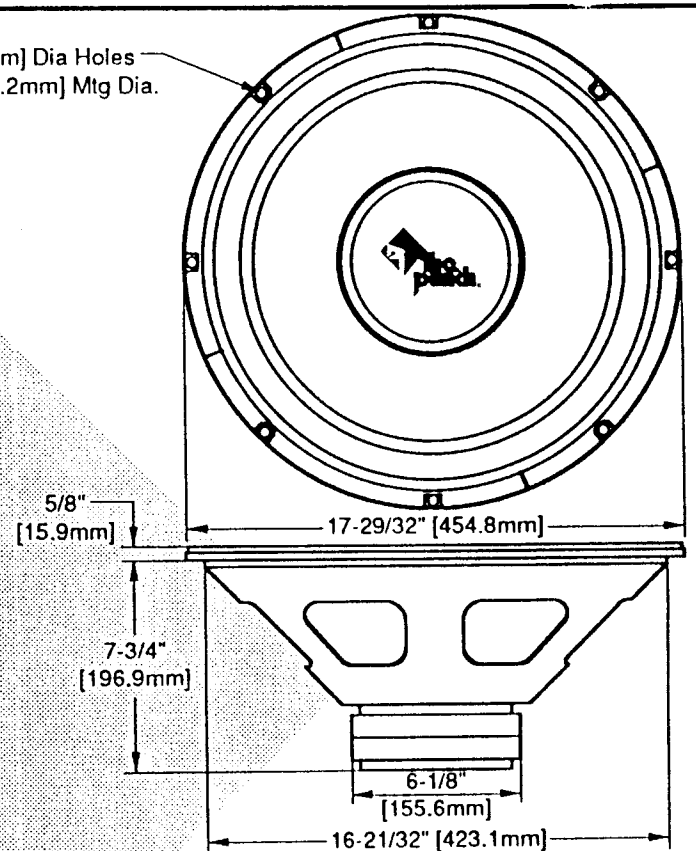


TECHNICAL DATA	PCH-184	PCH-188
Nominal Diameter	18.00 in [457.2 mm]	18.00 in [457.2 mm]
Magnet Weight	105.00 oz [2,976.7 g]	105.00 oz [2,976.7 g]
Frequency Range	23 - 200 Hz	24 - 200 Hz
Nominal Impedance	4Ω	8Ω
DC Resistance ( <i>RE</i> )	3.1Ω	6.2Ω
Resonance Frequency ( <i>fs</i> )	23 Hz	24 Hz
Mechanical Q Factor ( <i>Qms</i> )	4.09	4.11
Electrical Q Factor ( <i>Qes</i> )	0.46	0.60
Total Q Factor ( <i>Qts</i> )	0.41	0.53
Effective Cone Area ( <i>Sd</i> )	172.36 in <sup>2</sup> [0.1112 m <sup>2</sup> ]	172.36 in <sup>2</sup> [0.1112 m <sup>2</sup> ]
Equivalent Air Volume ( <i>Vas</i> )	17.975 ft <sup>3</sup> [509.0 L]	17.975 ft <sup>3</sup> [509.0 L]
Compliance ( <i>Cms</i> )	0.00029 m/N	0.00029 m/N
Moving Mass ( <i>Mms</i> )	5.71 oz [162.0 g]	5.57 oz [158.0 g]
Voice Coil Diameter	2.50 in [63.5 mm]	2.50 in [63.5 mm]
Voice Coil Winding Height	1.00 in [25.4 mm]	1.00 in [25.4 mm]
Voice Coil Former Material	5 Mil Aluminum	5 Mil Aluminum
Voice Coil Inductance	1.02 mH	1.66 mH
Force Factor ( <i>Bl</i> )	12.7 Tm	15.6 Tm
Linear Excursion ( <i>Xmax</i> )	0.32 in [8.1 mm]	0.32 in [8.1 mm]
Sensitivity ( <i>SPL</i> )	94.0 dB W/m	94.0 dB W/m
Operating Power ( <i>PE</i> )	150 W	150 W
Specifications May Vary Per Manufacturing Tolerances And Are Subject To Improvement Without Notice Frequency Response Curve Shown Represents Both 4Ω And 8Ω Units Upper Impedance Curve For 8Ω Unit; Lower Impedance Curve For 4Ω Unit		

(8) 3/8" [9.5mm] Dia Holes  
On 17-1/4" [438.2mm] Mtg Dia.



RT No.:	PCH-184	PART NAME: 18" Punch Woofer	
	PCH-188	TOLERANCE: N/A	SCALE: N.T.S.
LEASE: #2 (Dec 4, 1992)	DRWN BY: <i>ESW</i>	APPR BY: <i>Chau</i>	

