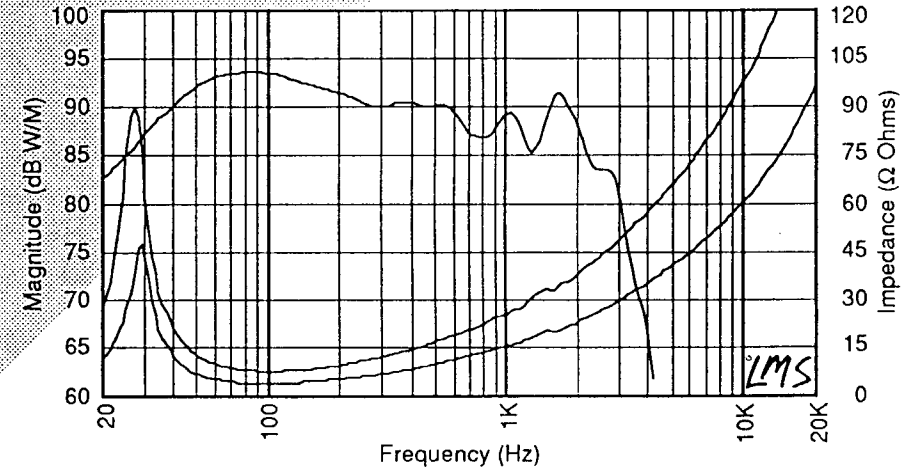
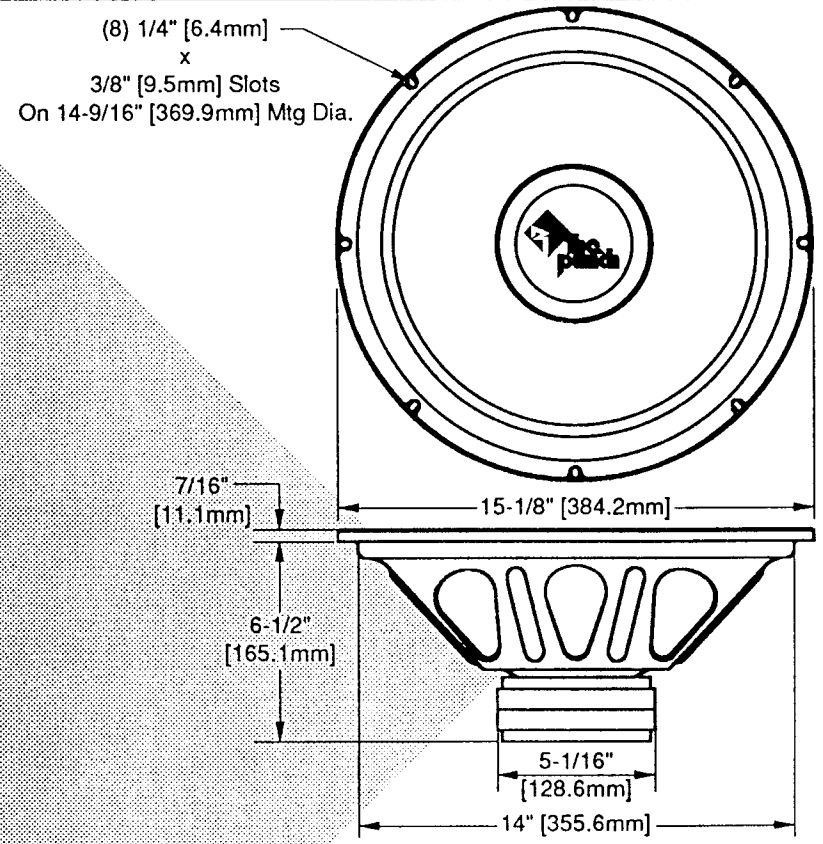


TECHNICAL DATA	PCH-154	PCH-158
Nominal Diameter	15.00 in [381.0 mm]	15.00 in [381.0 mm]
Magnet Weight	60.00 oz [1,701.0 g]	60.00 oz [1,701.0 g]
Frequency Range	28 - 250 Hz	29 - 250 Hz
Nominal Impedance	4Ω	8Ω
DC Resistance ( <i>RE</i> )	3.6Ω	7.2Ω
Resonance Frequency ( <i>fs</i> )	28 Hz	29 Hz
Mechanical Q Factor ( <i>Qms</i> )	5.60	5.11
Electrical Q Factor ( <i>Qes</i> )	0.43	0.46
Total Q Factor ( <i>Qts</i> )	0.40	0.42
Effective Cone Area ( <i>Sd</i> )	134.54 in <sup>2</sup> [0.0868 m <sup>2</sup> ]	134.54 in <sup>2</sup> [0.0868 m <sup>2</sup> ]
Equivalent Air Volume ( <i>Vas</i> )	10.347 ft <sup>3</sup> [293.0 L]	10.347 ft <sup>3</sup> [293.0 L]
Compliance ( <i>Cms</i> )	0.00027 m/N	0.00027 m/N
Moving Mass ( <i>Mms</i> )	3.99 oz [113.0 g]	3.81 oz [108.0 g]
Voice Coil Diameter	2.00 in [50.8 mm]	2.00 in [50.8 mm]
Voice Coil Winding Height	0.75 in [19.0 mm]	0.75 in [19.0 mm]
Voice Coil Former Material	5 Mil Aluminum	5 Mil Aluminum
Voice Coil Inductance	1.86 mH	3.04 mH
Force Factor ( <i>Bl</i> )	13.1 Tm	17.6 Tm
Linear Excursion ( <i>Xmax</i> )	0.19 in [4.7 mm]	0.19 in [4.7 mm]
Sensitivity ( <i>SPL</i> )	94.0 dB W/m	94.0 dB W/m
Operating Power ( <i>PE</i> )	100 W	100 W
Specifications May Vary Per Manufacturing Tolerances And Are Subject To Improvement Without Notice Frequency Response Curve Shown Represents Both 4Ω And 8Ω Units Upper Impedance Curve For 8Ω Unit; Lower Impedance Curve For 4Ω Unit		



PART NO.:	PCH-154	PART NAME: 15" Punch Woofer	
	PCH-158	TOLERANCE: N/A	SCALE: N.T.S.
RELEASE:	Dec 2, 1992)	DRAWN BY: <i>BSW</i>	APPR BY: <i>Chubb</i>

