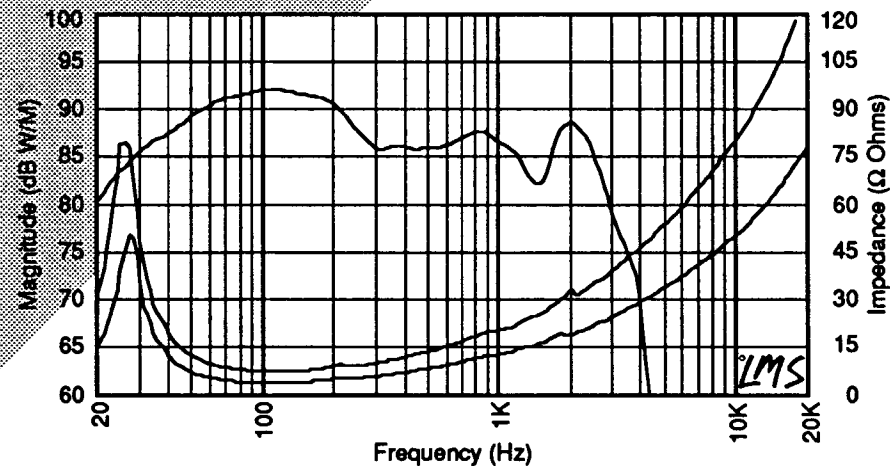
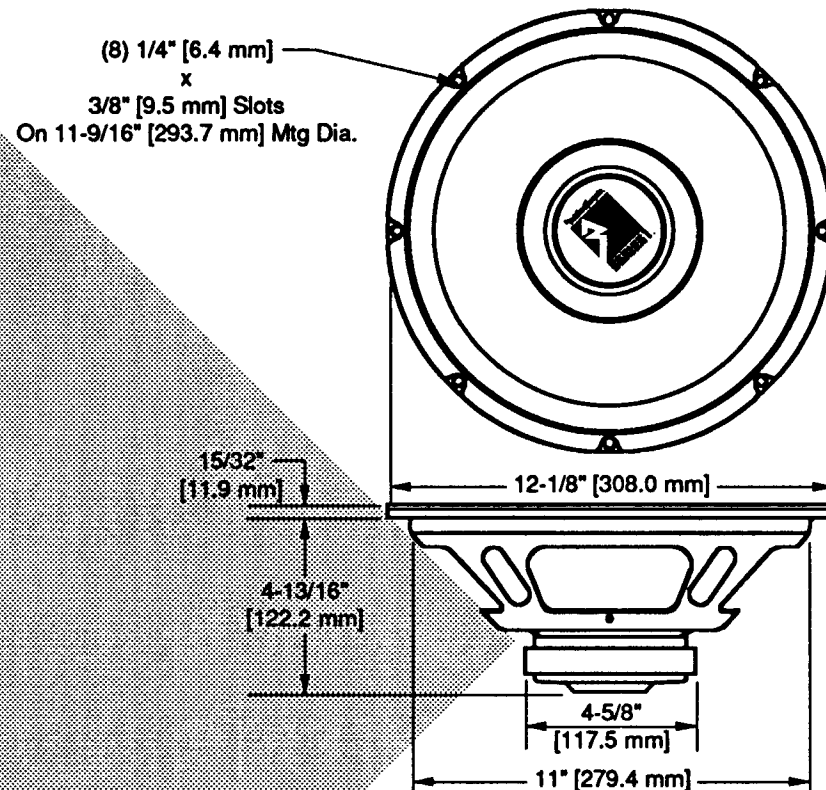


TECHNICAL DATA	S1-124	S1-128
Nominal Diameter	12.00 in [304.8 mm]	12.00 in [304.8 mm]
Magnet Weight	28.00 oz [795.2 g]	28.00 oz [795.2 g]
Frequency Range	28 - 2,500 Hz	29 - 2,500 Hz
Nominal Impedance	4Ω	8Ω
DC Resistance (RE)	3.4Ω	6.7Ω
Resonance Frequency (fs)	28 Hz	29 Hz
Mechanical Q Factor (QMS)	3.41	4.11
Electrical Q Factor (QES)	0.36	0.45
Total Q Factor (QTS)	0.33	0.41
Effective Cone Area (SD)	84.48 in <sup>2</sup> [0.0545 m <sup>2</sup> ]	84.48 in <sup>2</sup> [0.0545 m <sup>2</sup> ]
Equivalent Air Volume (VAS)	6.569 ft <sup>3</sup> [186.0 L]	6.569 ft <sup>3</sup> [186.0 L]
Compliance (CMS)	0.00044 m/N	0.00044 m/N
Moving Mass (MMS)	2.57 oz [73.0 g]	2.43 oz [69.0 g]
Voice Coil Diameter	1.50 in [38.1 mm]	1.50 in [38.1 mm]
Voice Coil Winding Height	0.75 in [19.1 mm]	0.75 in [19.1 mm]
Voice Coil Former Material	5 Mil Aluminum	5 Mil Aluminum
Voice Coil Inductance	1.43 mH	2.22 mH
Force Factor (Bl)	11.0 Tm	13.6 Tm
Linear Excursion (Xmax)	0.20 in [5.1 mm]	0.20 in [5.1 mm]
Sensitivity (SPL)	92.0 dB W/m	92 dB W/m
Operating Power (PE)	100 W	100.0 W
Specifications May Vary Per Manufacturing Tolerances And Are Subject To Improvement Without Notice Frequency Response Curve Shown Represents Both 4Ω And 8Ω Units Upper Impedance Curve For 8Ω Unit; Lower Impedance Curve For 4Ω Unit		



PART NO.: S1-124	PART NAME: 12" Series One Woofer	
S1-128	TOLERANCE: N/A	SCALE: N.T.S.
RELEASE: #3 (Dec 3, 1992)	DRWN BY: <i>[Signature]</i>	APPR BY: <i>[Signature]</i>

