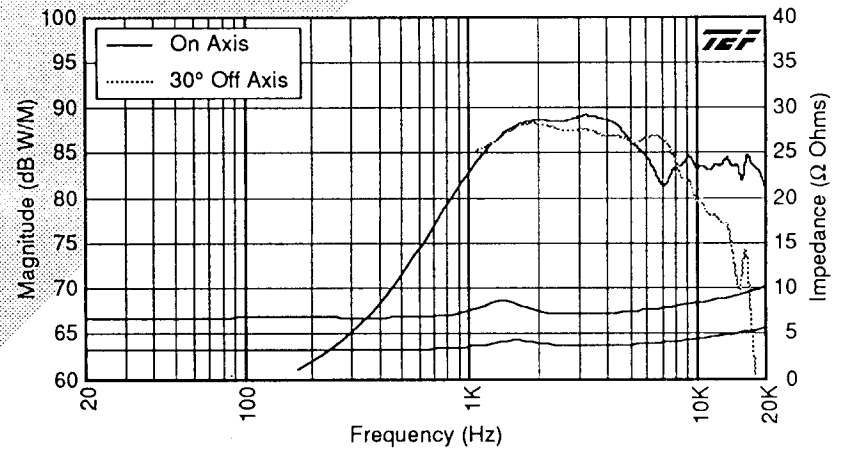
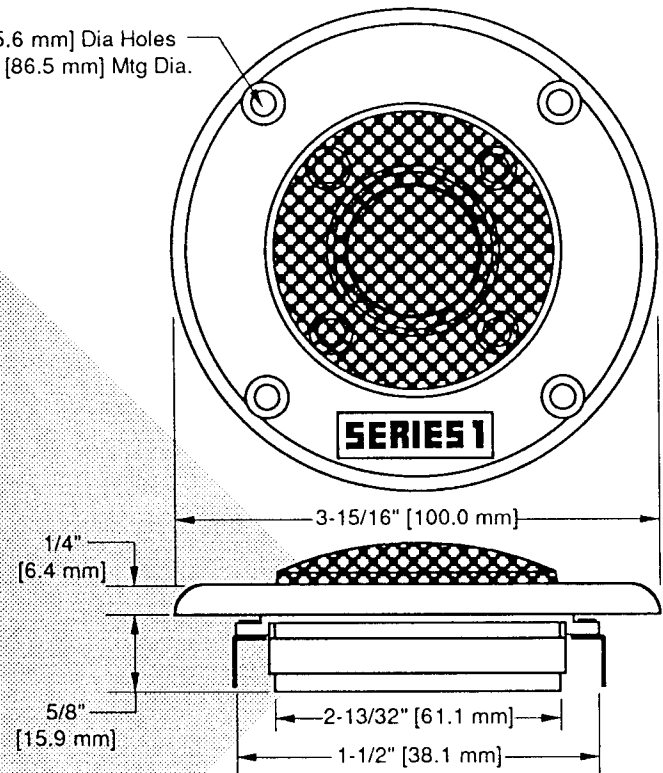


TECHNICAL DATA	SPT-04R	SPT-08R
Nominal Diameter	1.00 in [25.4 mm]	1.00 in [25.4 mm]
Magnet Weight	2.80 oz [79.5 g]	42.80 oz [79.5 g]
Frequency Range	2,500 - 20,000 Hz	2,500 - 20,000 Hz
Nominal Impedance	4Ω	8Ω
DC Resistance ( <i>RE</i> )	3.3Ω	6.6Ω
Resonance Frequency ( <i>fs</i> )	1,300 Hz	1,300 Hz
Mechanical Q Factor ( <i>Qms</i> )	1.99	2.52
Electrical Q Factor ( <i>Qes</i> )	4.34	4.84
Total Q Factor ( <i>Qts</i> )	1.36	1.66
Effective Cone Area ( <i>Sd</i> )	N/A	N/A
Equivalent Air Volume ( <i>Vas</i> )	N/A	N/A
Compliance ( <i>Cms</i> )	N/A	N/A
Moving Mass ( <i>Mms</i> )	N/A	N/A
Voice Coil Diameter	1.00 in [25.4 mm]	1.00 in [25.4 mm]
Voice Coil Winding Height	0.14 in [3.5 mm]	0.14 in [3.5 mm]
Voice Coil Former Material	2 Mil Polyimide Film	2 Mil Polyimide Film
Voice Coil Inductance	0.30 mH	0.37 mH
Force Factor ( <i>Bl</i> )	N/A	N/A
Linear Excursion ( <i>Xmax</i> )	N/A	N/A
Sensitivity ( <i>SPL</i> )	85.0 dB W/m	85.0 dB W/m
Operating Power ( <i>PE</i> )	50 W *	50 W *
<small>Specifications May Vary Per Manufacturing Tolerances And Are Subject To Improvement Without Notice  * Power Ratings (PE) Established With Recommended Filter Network  Frequency Response Curve Shown Represents Both 4Ω And 8Ω Units  Upper Impedance Curve For 8Ω Unit; Lower Impedance Curve For 4Ω Unit</small>		

(4) 7/32" [5.6 mm] Dia Holes  
On 3-13/32" [86.5 mm] Mtg Dia.



PART NO.:	SPT-04R	PART NAME: 1" Series One Soft Dome Tweeter	
	SPT-08R	TOLERANCE: N/A	SCALE: N.T.S.
RELEASE: #2 (10-26-90)	DRWN BY: <i>BSW</i>	APPR BY: <i>Chud</i>	

**Rockford Fosgate**

